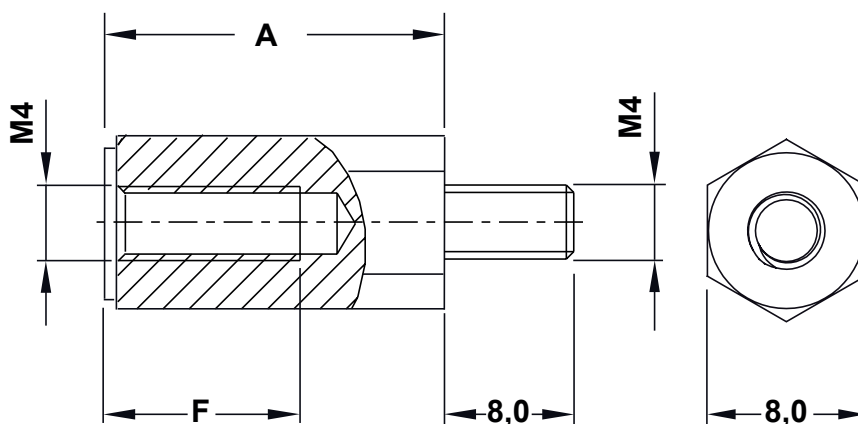


DIM.	TOL.
5mm DOWN	±0.2
5~20mm	±0.3
20~40mm	±0.4
40~60mm	±0.5
60~100mm	±0.8
100mm UP	±1.0

REVISIONS			
REV	DESCRIPTION	DATE	BY



F: Thread length Min. 3,0 - Max. 10,0

P/N	A
6924AA0105.0	5.0
6924AA0106.0	6.0
6924AA0107.0	7.0
6924AA0108.0	8.0
6924AA0109.0	9.0
6924AA0110.0	10.0
6924AA0111.0	11.0
6924AA0112.0	12.0
6924AA0113.0	13.0
6924AA0114.0	14.0
6924AA0115.0	15.0
6924AA0116.0	16.0
6924AA0117.0	17.0
6924AA0118.0	18.0
6924AA0119.0	19.0
6924AA0120.0	20.0
6924AA0121.0	21.0
6924AA0122.0	22.0
6924AA0123.0	23.0
6924AA0124.0	24.0
6924AA0125.0	25.0
6924AA0126.0	26.0

P/N	A
6924AA0127.0	27.0
6924AA0128.0	28.0
6924AA0129.0	29.0
6924AA0130.0	30.0
6924AA0131.0	31.0
6924AA0132.0	32.0
6924AA0133.0	33.0
6924AA0134.0	34.0
6924AA0135.0	35.0
6924AA0136.0	36.0
6924AA0137.0	37.0
6924AA0138.0	38.0
6924AA0139.0	39.0
6924AA0140.0	40.0
6924AA0141.0	41.0
6924AA0142.0	42.0
6924AA0143.0	43.0
6924AA0144.0	44.0
6924AA0145.0	45.0
6924AA0146.0	46.0
6924AA0147.0	47.0
6924AA0148.0	48.0

P/N	A
6924AA0149.0	49.0
6924AA0150.0	50.0
6924AA0151.0	51.0
6924AA0152.0	52.0
6924AA0153.0	53.0
6924AA0154.0	54.0
6924AA0155.0	55.0
6924AA0156.0	56.0
6924AA0157.0	57.0
6924AA0158.0	58.0
6924AA0159.0	59.0
6924AA0160.0	60.0
6924AA0161.0	61.0
6924AA0162.0	62.0
6924AA0163.0	63.0
6924AA0164.0	64.0
6924AA0165.0	65.0
6924AA0166.0	66.0
6924AA0167.0	67.0
6924AA0168.0	68.0
6924AA0169.0	69.0
6924AA0170.0	70.0

		TITLE <b>HEXAGONAL METRIC THREADED SPACER</b>	
		MATERIAL PA6.6 HB (UL94)	DATE 01/04/2020
PART NUMBER SEE TABLE		DRAWING NUMBER 20.04.01.6924.0.E	
DRAWING NUMBER 20.04.01.6924.0.E		COLOR BLACK	CHECK
SIZE A4	SCALE NTS	UNIT mm.	REV A
UNLESS OTHERWISE SPECIFIED TOLERANCE SEE ABOVE		APPROVED	