

REVISIONS			
REV	DESCRIPTION	DATE	BY

P/N	TYPE	SIZES			Version 2	Pack / pcs
		SW	G	L		
6910BB01	1	5,0	M2	5,0 - 45,0	Until to 14mm	500
6911BB01	1	5,0	M2.5	5,0 - 55,0	Until to 14mm	500
8159BB01	2	6,0	M2,5	4,0 - 55,0	Until to 15mm	500
8160BB01	2	5,0	M3	3,0 - 45,0	Until to 15mm	500
6912BB01	2	5,5	M3	5,0 - 55,0	Until to 15mm	500
6913BB01	1	6,0	M3	5,0 - 75,0	Until to 15mm	500
6914BB01	1	7,0	M3	5,0 - 65,0	Until to 15mm	500
8161BB01	1	7,0	M4	5,0 - 68,0	Until to 20mm	500
6915BB01	1	8,0	M3	5,0 - 65,0	Until to 15mm	500
6916BB01	1	8,0	M4	5,0 - 75,0	Until to 20mm	500
6917BB01	2	10,0	M4	5,0 - 62,0	Until to 20mm	500
6918BB01	1	10,0	M5	5,0 - 75,0	Until to 20mm	500
6919BB01	1	10,0	M6	4,0 - 75,0	Until to 20mm	500

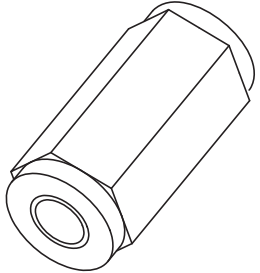
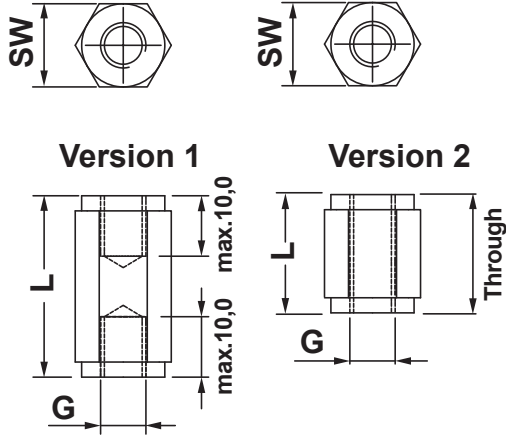
By order pls add the length of the requested Part at the end of the Part No. / Example:
6910BB0108.00 for a Spacer with a length of 8.0mm

Increments: 1,0mm

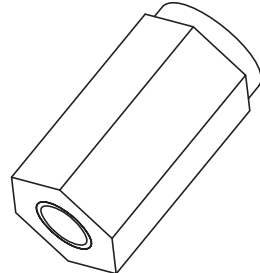
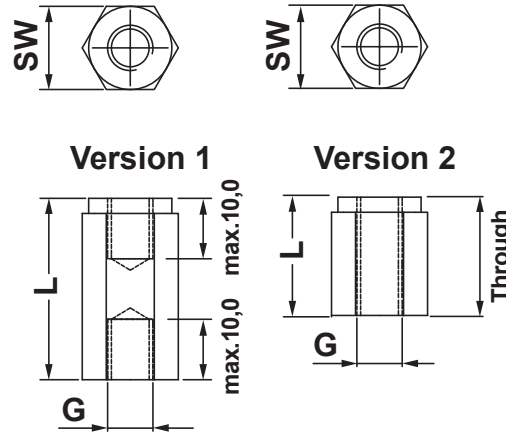
On demand:
PA 6.6 25 GV
Working Temperature: -30°C ~ +120°C short-term +170°C
Flammability UL 94 V0 / Colour: red-brown
Materialcode: AR instead of BB used



Type 1



Type 2



REV.	DESCRIPTION	DATE	TITLE: THREADED SPACER NYLON		DWG UNIT: MM
			MATERIAL: Nylon 6 25% GV Working temperature: -30°C ~ +110°C Flammability UL 94 HB Colour: black		Modelled in RHINO 4.0 FILE: DwN:18.09.03.XXXX.0.EI ChkD:
			TOLLERANCES: +/- 0,15	SHEET: 1 OF 1 SCALE: NTS	DT: 03/09/2018 Part Number: See table

