

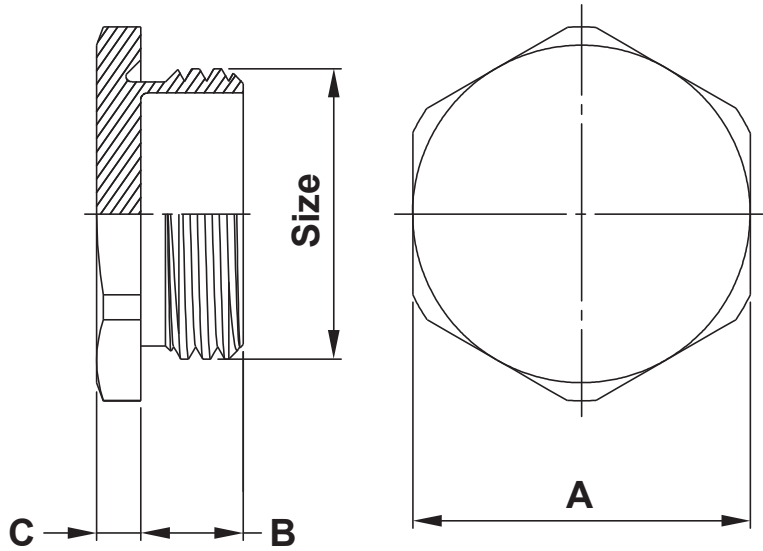
REVISIONS			
REV	DESCRIPTION	DATE	BY

Standard Sealing


IP 68
with O-Ring
OPTIONAL

Permanent temperature on application

NITRILE
- 25 / + 120°C



P/N	Size	A	B	C
15221MD90	M12 x 150	17,0	7,0	3,0
15222MD90	M16 x 150	19,0	7,0	3,0
15223MD90	M20 x 150	23,0	7,0	3,0
15224MD90	M25 x 150	29,0	8,0	3,5
15225MD90	M32 x 150	39,0	8,5	4,0
15226MD90	M40 x 150	45,0	8,5	4,0
15227MD90	M50 x 150	58,0	9,5	5,0
15228MD90	M63 x 150	70,0	10,5	7,0

		TITLE METRIC HEXAGONAL PLUGS STAINLESS STEEL	
		MATERIAL STAINLESS STEEL	DATE 26/02/2021
PART NUMBER SEE TABLE		DRAWING NUMBER 21.02.26.1522X.0.E	
DRAWN R.F.		COLOR SEE ABOVE	CHECK
SIZE A4	SCALE NTS	UNIT mm.	REV A
UNLESS OTHERWISE SPECIFIED TOLERANCE SEE ABOVE		APPROVED	