

REVISIONS			
REV	DESCRIPTION	DATE	BY



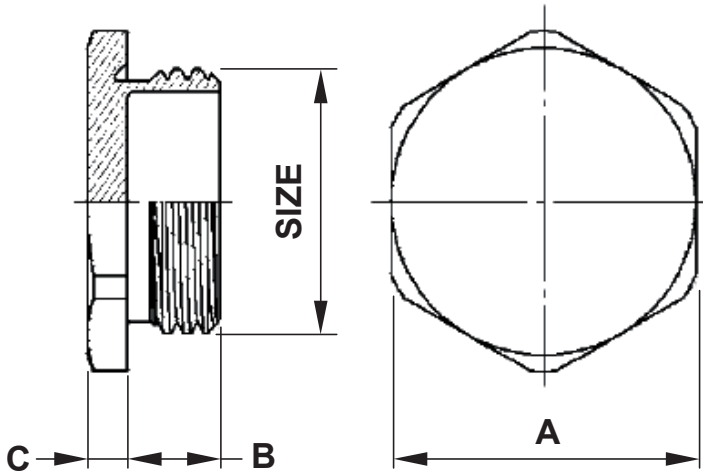
Standard Sealing

IP54

Permanent temperature on application

**NITRILE 70 Sh A
- 25 / + 120°C**

IP 68 With O-Ring (OPTIONAL)



P/N	Size	A	B	C
15210MA92	PG 07	14,0	5,0	3,0
15211MA92	PG 09	17,0	6,0	3,0
15212MA92	PG 11	19,0	6,0	3,0
15213MA92	PG 13	21,0	6,5	3,0
15214MA92	PG 16	23,0	6,5	3,0
15215MA92	PG 21	29,0	7,0	4,0
15216MA92	PG 29	39,0	8,0	4,0
15217MA92	PG 36	50,0	9,0	5,0
15218MA92	PG 42	58,0	10,0	5,0
15219MA92	PG 48 NFC	64,0	11,0	6,0
15220MA92	PG 48 DIN	64,0	10,0	6,0



TITLE HEXAGONAL PLUGS ISO PG IP54		MATERIAL NICKEL PLATED BRASS		DATE 25/02/2021	
		COLOR SEE ABOVE		DRAWN R.F.	
PART NUMBER SEE TABLE		DRAWING NUMBER 21.02.25.152XX.0.E		CHECK (blank)	
SIZE A4	SCALE NTS	UNIT mm.	REV A	UNLESS OTHERWISE SPECIFIED TOLERANCE SEE ABOVE	
				APPROVED (blank)	