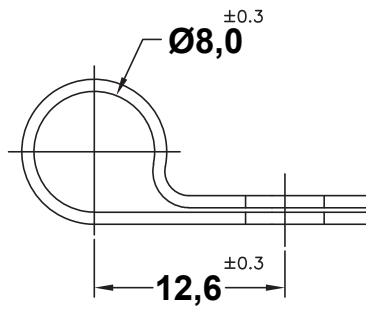
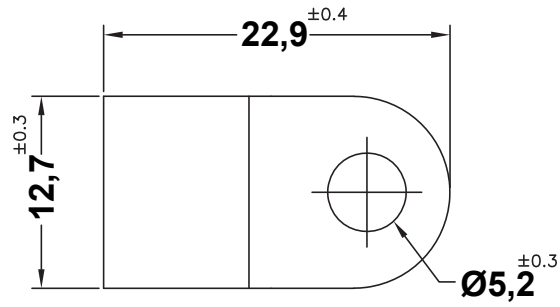
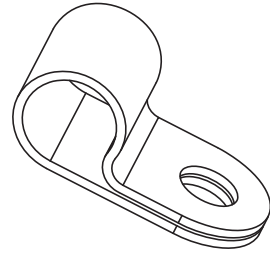


REVISIONS			
REV	DESCRIPTION	DATE	BY



<b>TITLE</b> <b>CABLE CLAMP</b>		<b>MATERIAL</b> ALUMINIUM		<b>DATE</b> 14/01/2021	
		<b>COLOR</b> UNLESS OTHERWISE SPECIFIED TOLERANCE SEE ABOVE		<b>APPROVED</b>	
<b>PART NUMBER</b> 146331AL90		<b>DRAWING NUMBER</b> 21.01.14.146331.0.E		<b>CHECK</b>	
<b>SIZE</b> A4	<b>SCALE</b> 2:1	<b>UNIT</b> mm.	<b>REV</b> A	<b>DRAWN</b> R.F.	