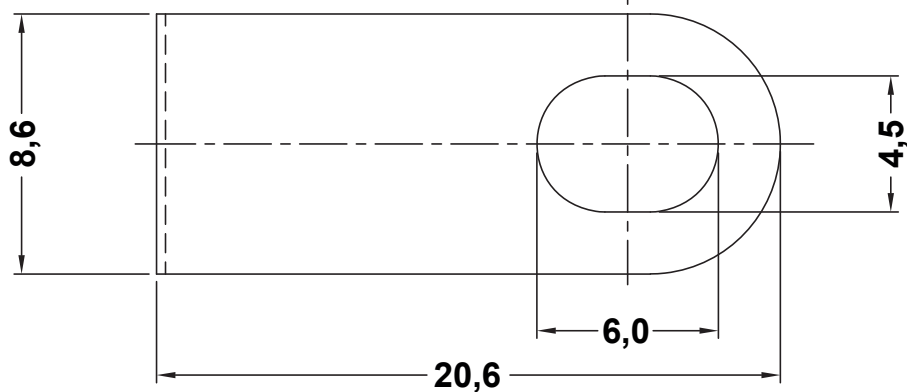
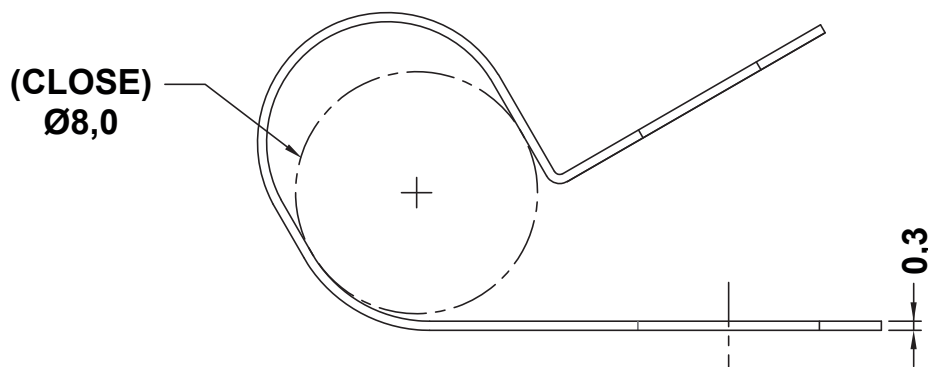
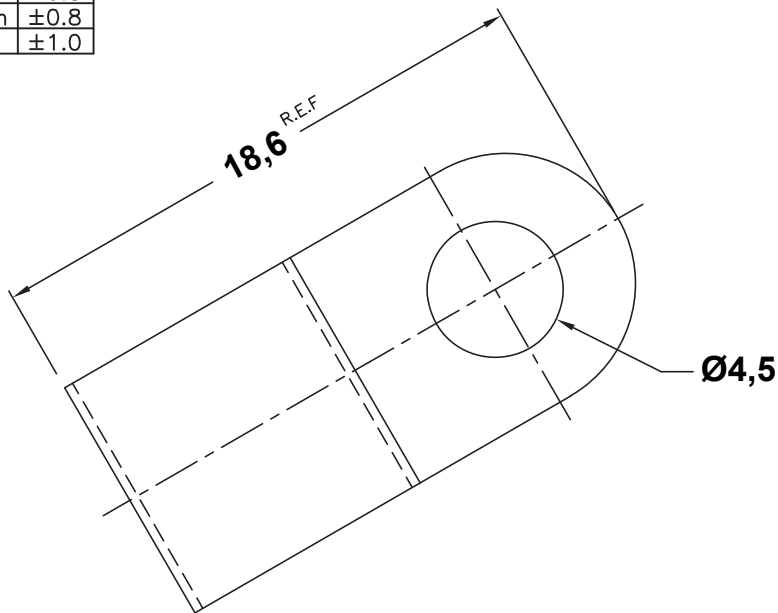



DIM.	TOL
5mm DOWN	±0.2
5~20mm	±0.3
20~40mm	±0.4
40~60mm	±0.5
60~100mm	±0.8
100mm UP	±1.0

REVISIONS			
REV	DESCRIPTION	DATE	BY



		TITLE GROUNDING CABLE CLAMPS	
		MATERIAL SUS 430	DATE 14/01/2021
PART NUMBER 15098MD90		DRAWING NUMBER 21.01.14.15098.0.E	
DRAWN R.F.		CHECK	
SIZE A4	SCALE 4:1	UNIT mm.	REV A
UNLESS OTHERWISE SPECIFIED TOLERANCE SEE ABOVE		APPROVED	