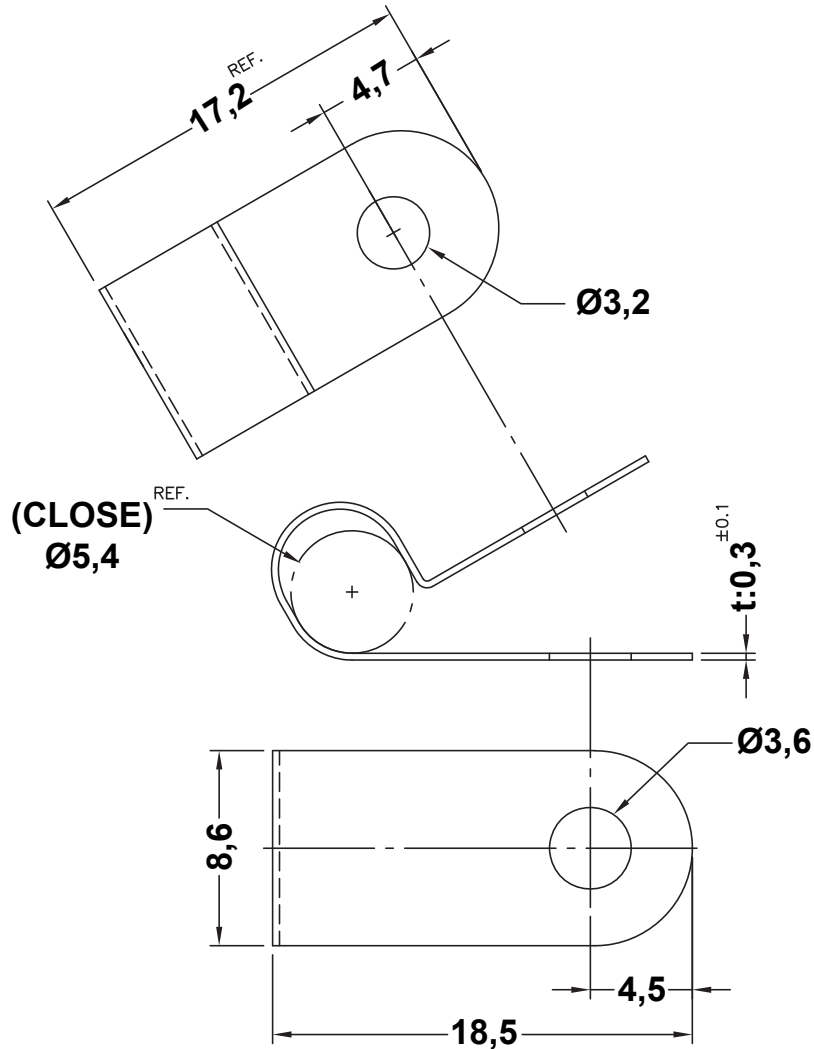



DIM.	TOL
5mm DOWN	±0.2
5~20mm	±0.3
20~40mm	±0.4
40~60mm	±0.5
60~100mm	±0.8
100mm UP	±1.0

REVISIONS			
REV	DESCRIPTION	DATE	BY



				TITLE GROUNDING CABLE CLAMPS	
				MATERIAL STAINLESS STEEL	
PART NUMBER 15096MD90				DRAWN R.F.	
DRAWING NUMBER 21.01.14.15096.0.E				CHECK	
SIZE A4	SCALE 3:1	UNIT mm.	REV A	UNLESS OTHERWISE SPECIFIED TOLERANCE SEE ABOVE	
				APPROVED	