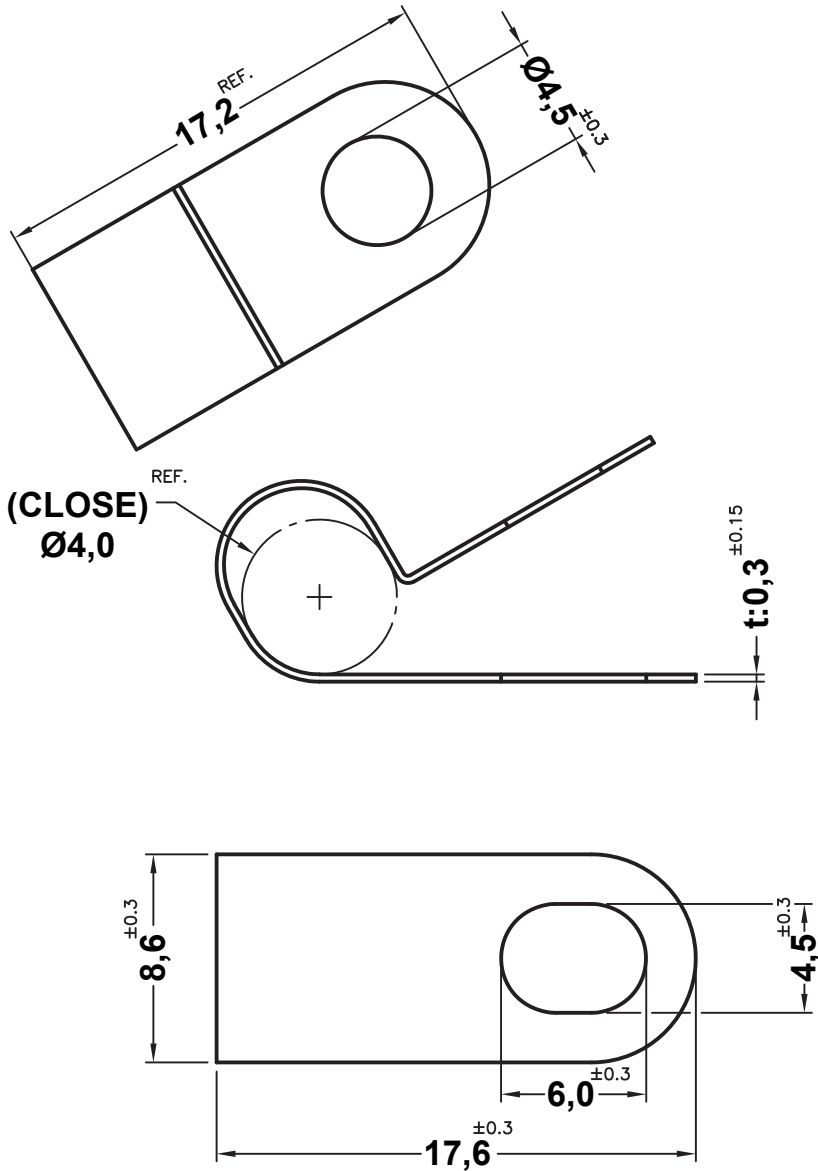



REVISIONS			
REV	DESCRIPTION	DATE	BY



				TITLE CLAMPS	
				MATERIAL SUS	DATE 14/01/2021
PART NUMBER 15094MD90				DRAWING NUMBER 21.01.14.15094.0.E	
DRAWN R.F.				CHECK	
SIZE A4	SCALE NTS	UNIT mm.	REV A	UNLESS OTHERWISE SPECIFIED TOLERANCE SEE ABOVE	
APPROVED					