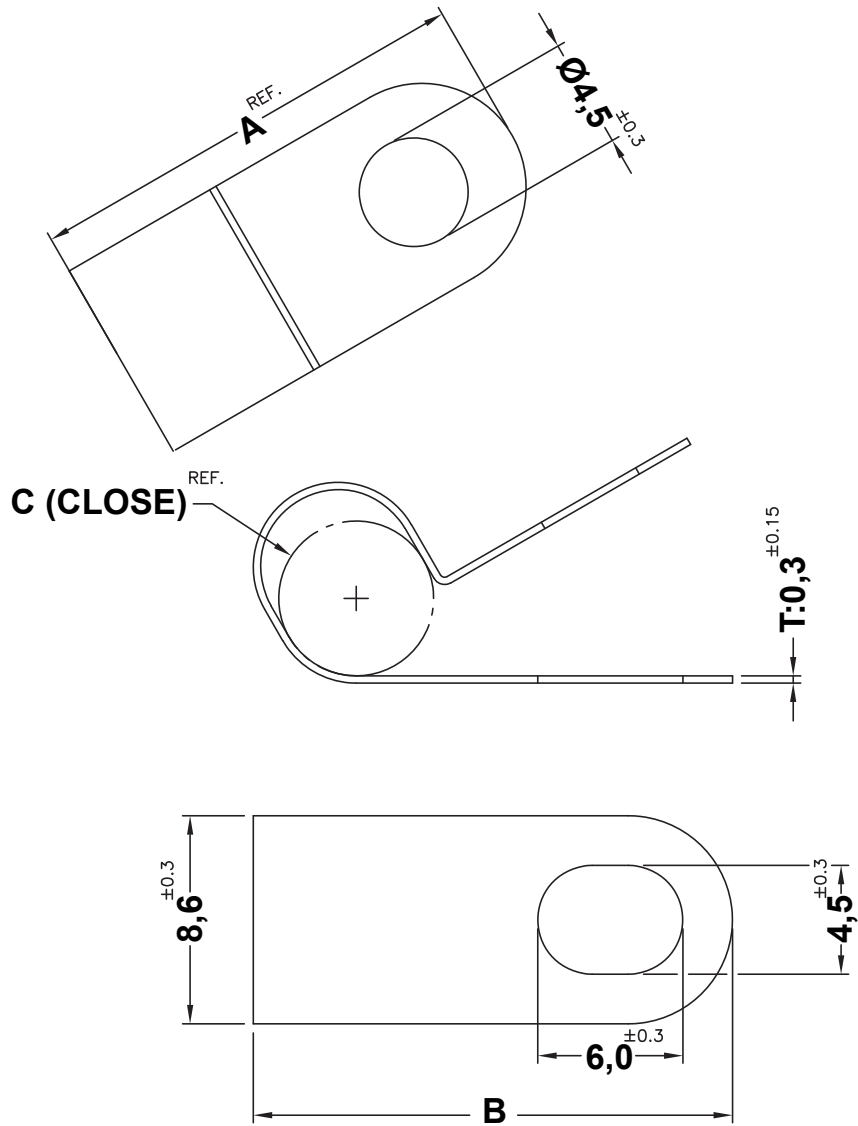



REVISIONS			
REV	DESCRIPTION	DATE	BY



P/N	A	B	C
15093MD90	17,2	17,6 ^{±0.3}	Ø3,0
15095MD90	17,9	18,7 ^{±0.3}	Ø4,8
15097MD90	18,7	19,8 ^{±0.3}	Ø6,4
15099MD90	18,65	20,6 ^{±1.0}	Ø9,0

				TITLE CLAMPS	
				MATERIAL SUS	
PART NUMBER SEE TABLE				DRAWN R.F.	
DRAWING NUMBER 21.01.14.1509X.0.E				CHECK	
SIZE A4	SCALE NTS	UNIT mm.	REV A	UNLESS OTHERWISE SPECIFIED TOLERANCE SEE ABOVE	
				APPROVED	