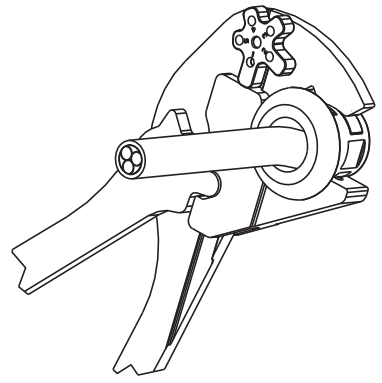
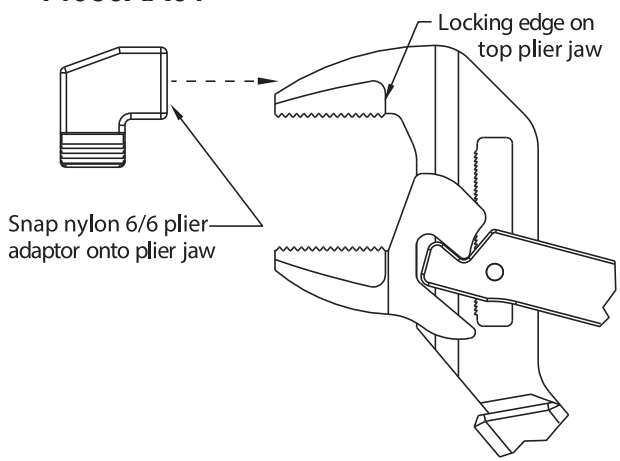
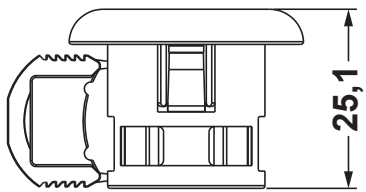
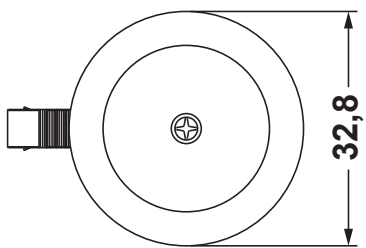


REVISIONS			
REV	DESCRIPTION	DATE	BY



Nylon adaptor  
**14050AA01**



P/N (RAL 7035)	P/N (WHITE)	P/N (BLACK)	Cable diameter	Mounting Hole	Panel Thickness
14046AR117035	14046AR02	14046AR01	7,1 - 8,4	22,2	0,8 - 2,4
14047AR117035	14047AR02	14047AR01	7,1 - 8,4	22,2	3,2 - 4,8
14048AR117035	14048AR02	14048AR01	8,4 - 11,2	22,2	0,8 - 2,4
14049AR117035	14049AR02	14049AR01	8,4 - 11,2	22,2	3,2 - 4,8

\* Color refers to the rubber membrane (TPE top). Nylon 6/6 will remain black

Material: Nylon 6/6 w/TPE Top

Flammability: 94V-0

Temperature Range: -20°C to 100°C

IP Rating: IP 65, 66, 67 and 68 (IP 68 is 25psi for 24hrs)

				TITLE <b>LIQUID TIGHT STRAIN RELIEF BUSHING</b>	
				MATERIAL SEE ABOVE	DATE 28/10/2020
PART NUMBER SEE TABLE				DRAWN R.F.	
				DRAWING NUMBER 20.10.28.XXXX.0.E	
SIZE A4				COLOR SEE TABLE	
				UNLESS OTHERWISE SPECIFIED TOLERANCE	
SCALE NTS		UNIT mm.		CHECK	
REV A		APPROVED			