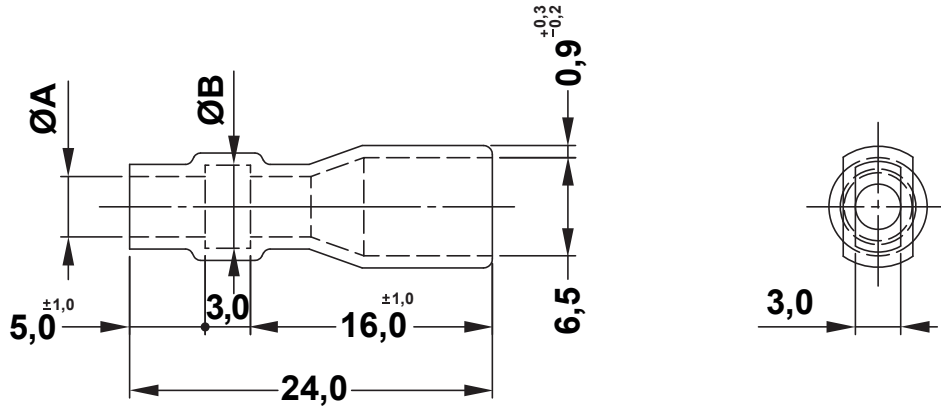



GENERAL TOLERANCE	
$L \leq 10$	± 0.3
$10 < L \leq 20$	± 0.4
$20 < L \leq 40$	± 0.7
$40 < L \leq 60$	± 1.0

REVISIONS			
REV	DESCRIPTION	DATE	BY



P/N	$\varnothing A$	$\varnothing B$
14926CA08	2,0	3,5
14927CA08	2,5	3,5
14928CA08	3,0	4,0
14929CA08	3,5	4,5
14930CA08	4,0	5,0

		TITLE CONNECTOR SLEEVES	
		MATERIAL PVC V0(UL94)	DATE 05/06/2020
PART NUMBER SEE TABLE		DRAWING NUMBER 20.06.05.149XX.0.E	
DRAWN R.F.		COLOR BLUE	CHECK
SIZE A4	SCALE 1:1	UNIT mm.	REV A
UNLESS OTHERWISE SPECIFIED TOLERANCE		APPROVED	