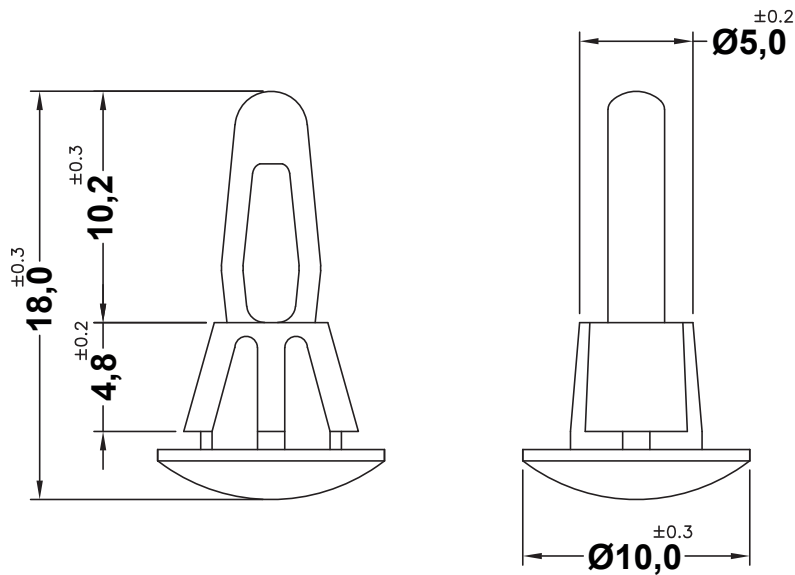



REVISIONS			
REV	DESCRIPTION	DATE	BY

**HOLE IN P.C.B Ø4,0  
P.C.B THICKNESS 1,6**



**HOLE IN P.C.B Ø6,0  
P.C.B THICKNESS 0,8 - 1,2**

				TITLE <b>SPACER SUPPORT</b>	
				MATERIAL PA66 V0(UL94)	DATE 09/06/2020
PART NUMBER 9211AR00				DRAWN R.F.	
				CHECK	
DRAWING NUMBER 20.06.09.9211.0.E		COLOR NATURAL		APPROVED	
SIZE A4	SCALE 3:1	UNIT mm.	REV A	UNLESS OTHERWISE SPECIFIED TOLERANCE SEE ABOVE	