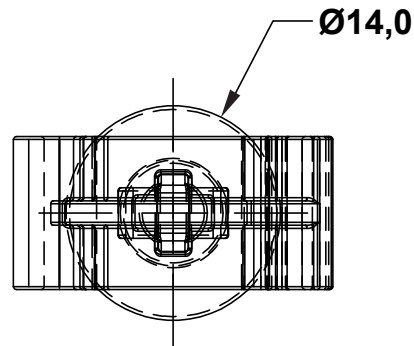
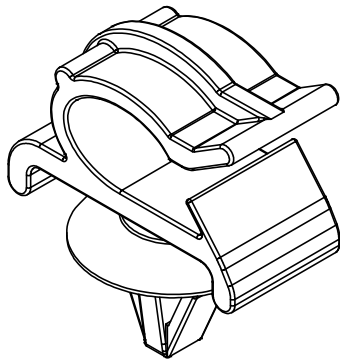
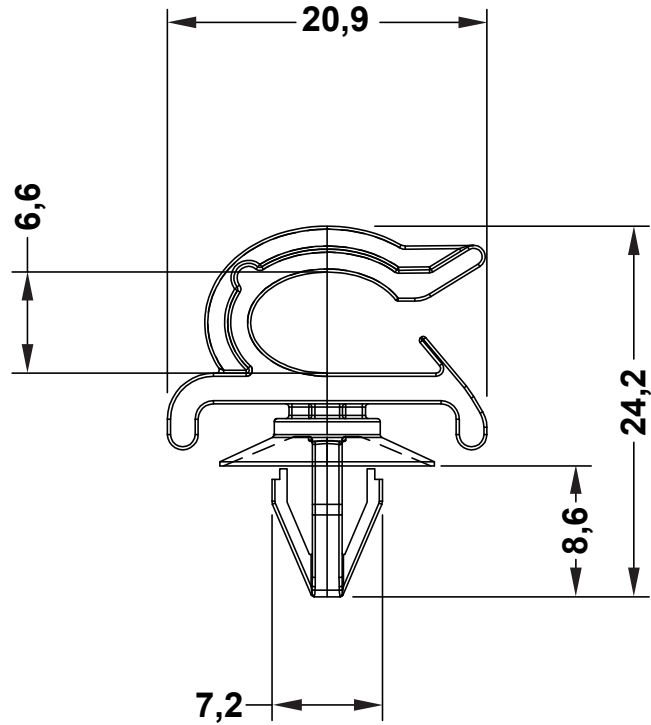
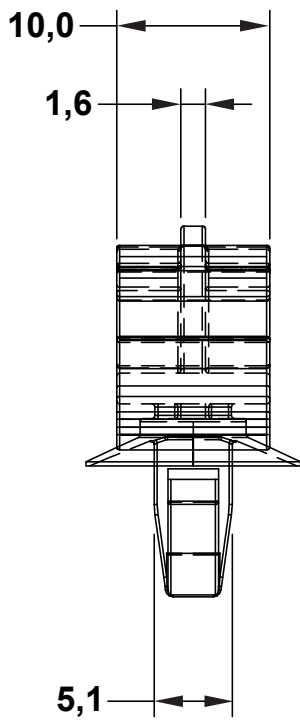



Dimensions	Tolerance
5mm DOWN	±0.2
5~20mm	±0.3
20~40mm	±0.4
40~60mm	±0.5
60~100mm	±0.8
100mm UP	±1.0

REVISIONS			
REV	DESCRIPTION	DATE	BY



TUBE DIAMETER Ø6,8 - 7,0
MOUNTING HOLE Ø5,8 - 6,0
PANEL THICKNESS: 1,0 - 1,2

				TITLE WIRE CLIPS LATERAL OPENING	
				MATERIAL PA6 V2(UL94)	DATE 29/05/2020
PART NUMBER 14985AA01				DRAWN R.F.	
DRAWING NUMBER 20.05.29.14985.0.E				CHECK	
COLOR BLACK				APPROVED	
SIZE A4	SCALE 2:1	UNIT mm.	REV A	UNLESS OTHERWISE SPECIFIED TOLERANCE SEE ABOVE	