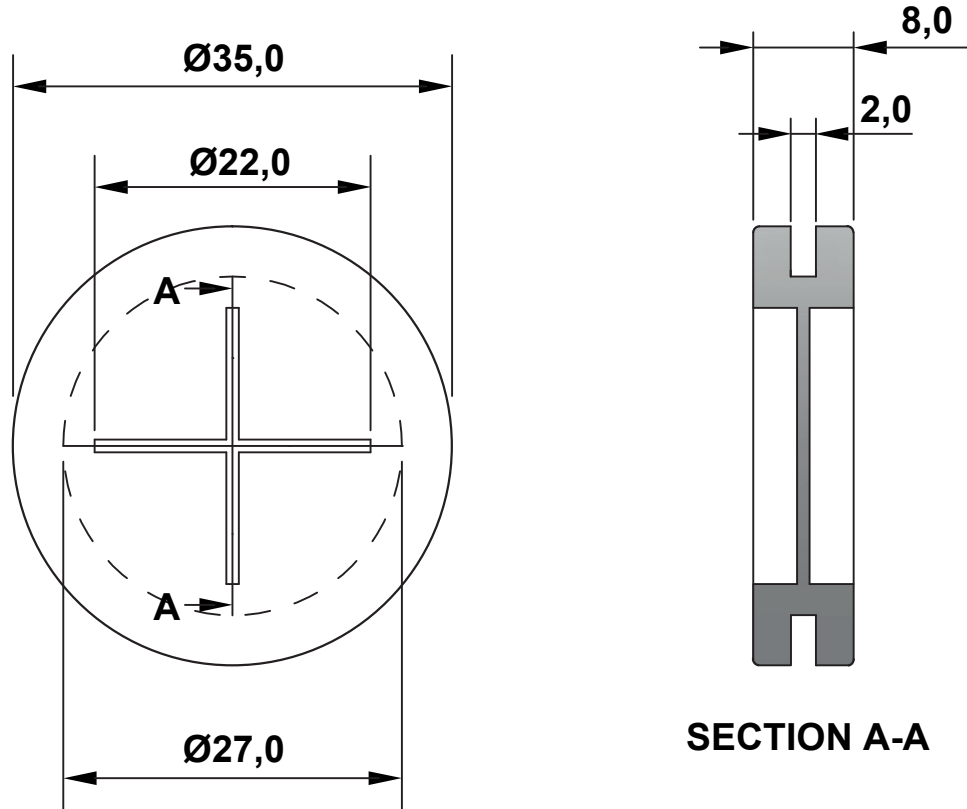


DIM.	TOL.
5mm DOWN	±0.2
5~20mm	±0.3
20~40mm	±0.4
40~60mm	±0.5
60~100mm	±0.8
100mm UP	±1.0

REVISIONS			
REV	DESCRIPTION	DATE	BY



SECTION A-A

REV.	DESCRIPTION	DATE	TITLE: GROMMETS WITH MEMBRANE	DWG UNIT: MM
	MATERIAL: PVC 70 SH		Modelled in RHINO 4.0	
	COLOUR: BLACK		FILE:	DwN: 20/05/20
			TOLLERANCES UNLESS NOTED	ChkD:
			SEE ABOVE	DT:20.05.20.14977.0.E. Part Number: 14977CA01M
			SHEET: 1 OF 1	
			SCALE: NTS	

