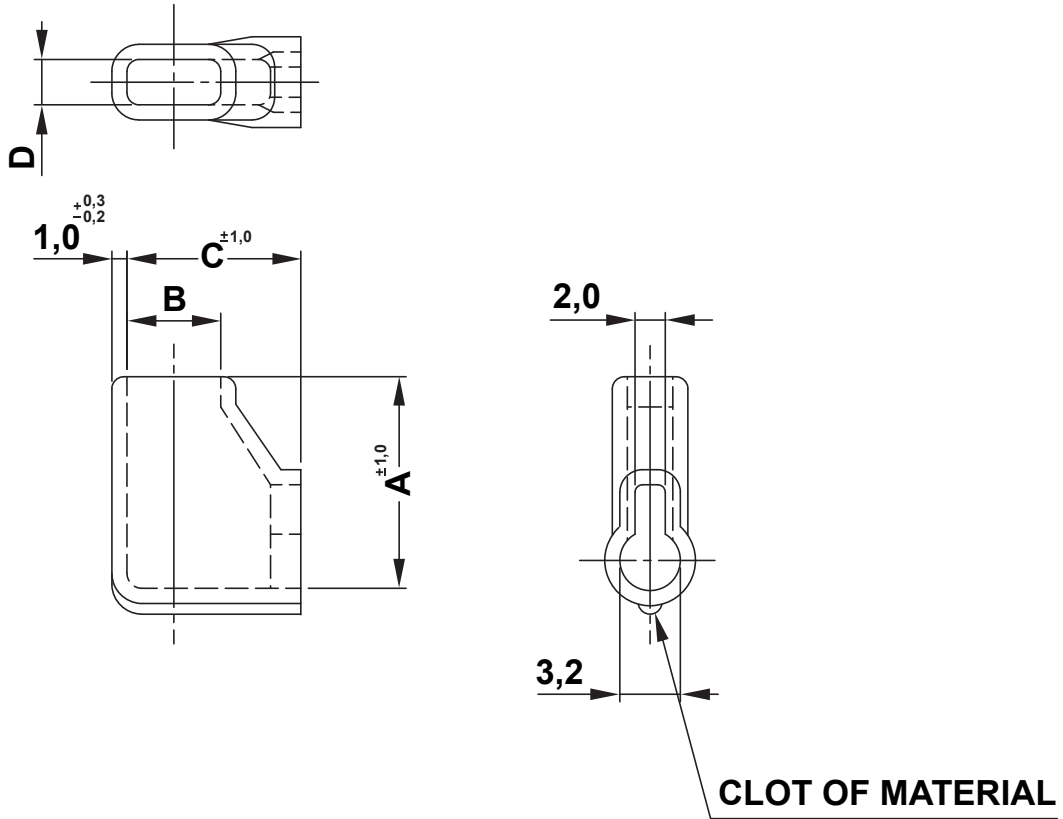


GENERAL TOLERANCE	
$L \leq 10$	± 0.3
$10 < L \leq 20$	± 0.4
$20 < L \leq 40$	± 0.7
$40 < L \leq 60$	± 1.0

REVISIONS			
REV	DESCRIPTION	DATE	BY



P/N	A	B	C	D
14969CA08	13,0	5,0	11,5	2,9
14970CA08	16,5	6,5	14,0	3,5



TITLE CONNECTOR SLEEVES		MATERIAL PVC V0(UL94)		DATE 05/06/2020	
		COLOR BLUE		DRAWN R.F.	
PART NUMBER SEE TABLE		DRAWING NUMBER 20.06.05.149XX.0.E		CHECK (blank)	
SIZE A4	SCALE NTS	UNIT mm.	REV A	UNLESS OTHERWISE SPECIFIED TOLERANCE SEE ABOVE	
				APPROVED (blank)	