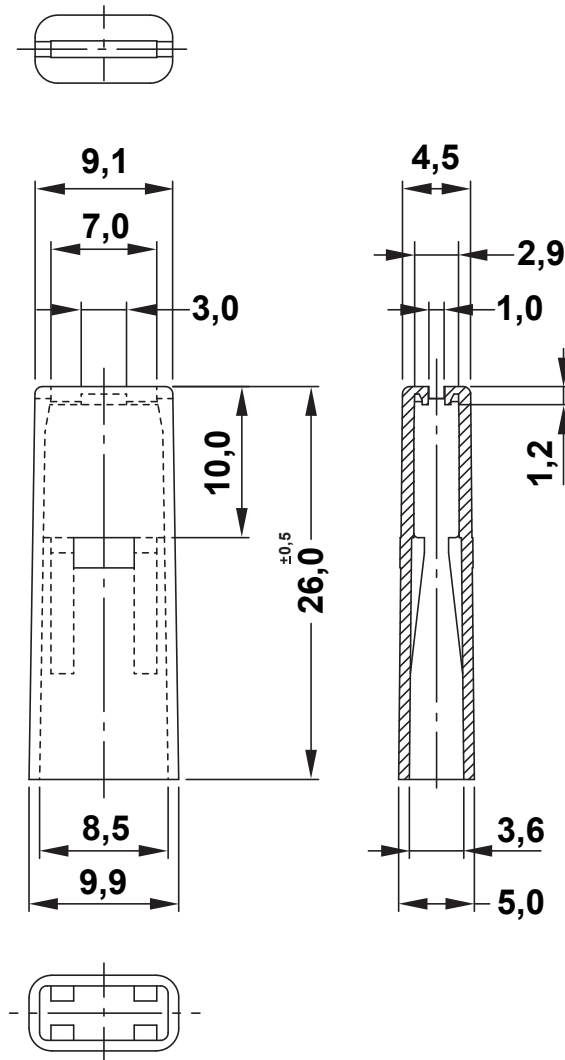



GENERAL TOLERANCE	
$L \leq 6$	± 0.2
$6 < L \leq 18$	± 0.3
$18 < L \leq 30$	± 0.4
$30 < L \leq 50$	± 0.5

REVISIONS			
REV	DESCRIPTION	DATE	BY



		TITLE CONNECTOR SLEEVES	
		MATERIAL PVC V0(UL94)	DATE 05/06/2020
PART NUMBER 14906CA08		DRAWING NUMBER 20.06.05.14906.0.E	
DRAWN R.F.		COLOR BLUE	CHECK
SIZE A4	SCALE 2:1	UNIT mm.	REV A
UNLESS OTHERWISE SPECIFIED TOLERANCE		APPROVED	