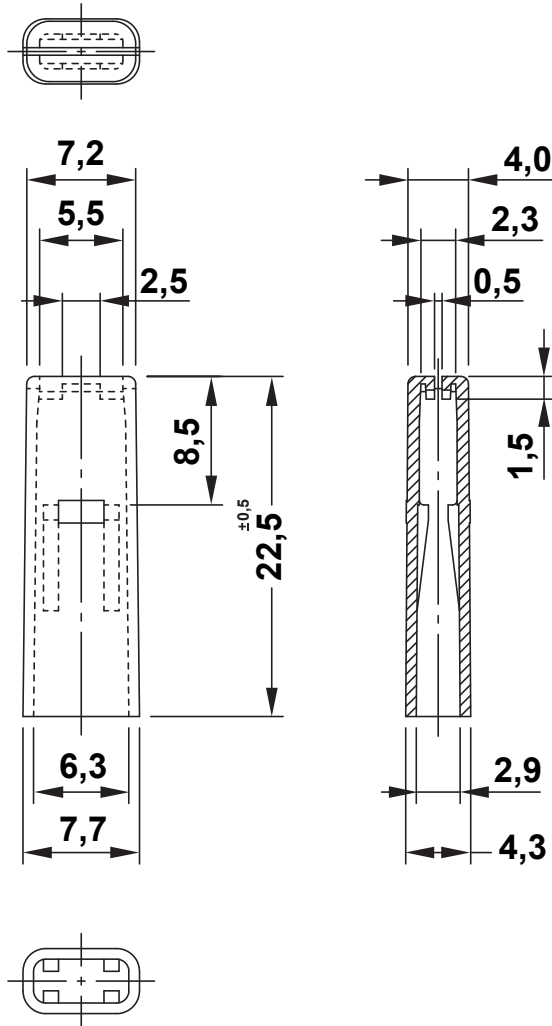



GENERAL TOLERANCE		
$L \leq 6$		± 0.2
$6 < L \leq 18$		± 0.3
$18 < L \leq 30$		± 0.4
$30 < L \leq 50$		± 0.5

REVISIONS			
REV	DESCRIPTION	DATE	BY



				TITLE CONNECTOR SLEEVES	
				MATERIAL PVC V0(UL94)	
PART NUMBER 14905CA08				DRAWING NUMBER 20.06.05.14905.0.E	
COLOR BLUE				CHECK	
SIZE A4	SCALE 2:1	UNIT mm.	REV A	UNLESS OTHERWISE SPECIFIED TOLERANCE	
				APPROVED	