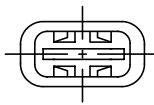
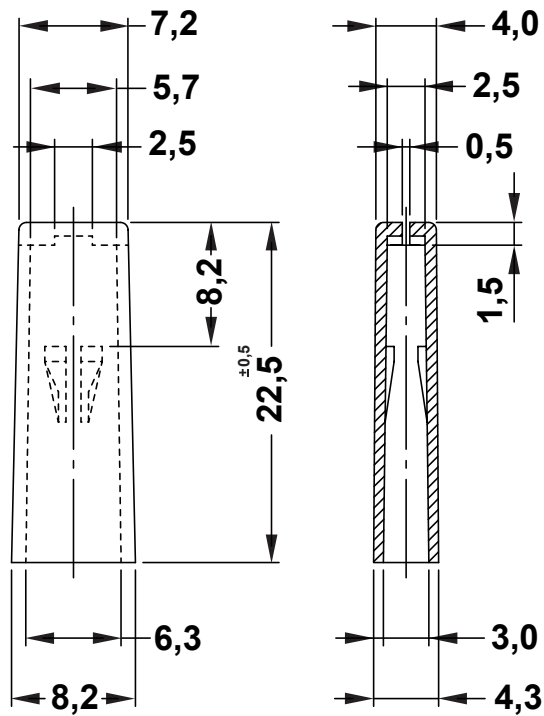
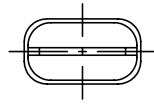


GENERAL TOLERANCE	
$L \leq 6$	± 0.2
$6 < L \leq 18$	± 0.3
$18 < L \leq 30$	± 0.4
$30 < L \leq 50$	± 0.5

REVISIONS			
REV	DESCRIPTION	DATE	BY



TITLE CONNECTOR SLEEVES		MATERIAL PVC V0(UL94)		DATE 05/06/2020	
		COLOR BLUE		DRAWN R.F.	
PART NUMBER 14903CA08		DRAWING NUMBER 20.06.05.14903.0.E		CHECK (blank)	
SIZE A4	SCALE 2:1	UNIT mm.	REV A	UNLESS OTHERWISE SPECIFIED TOLERANCE SEE ABOVE	
APPROVED (blank)				APPROVED (blank)	