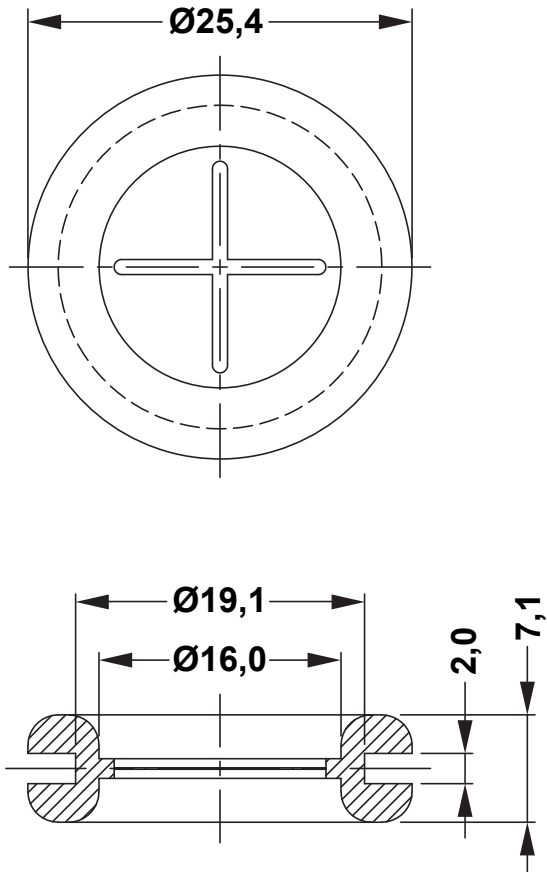



REVISIONS			
REV	DESCRIPTION	DATE	BY



**NOTE: THE MEMBRANE THICKNESS 0,1**

				TITLE <b>GROMMETS WITH MEMBRANE</b>	
				MATERIAL RUBBER (NR)	DATE 11/05/2020
PART NUMBER 14878PD01M				DRAWING NUMBER 20.05.11.14878.0.E	
				HARDNESS 55° ± 10°	DRAWN R.F.
SIZE A4				COLOR BLACK	
				UNLESS OTHERWISE SPECIFIED TOLERANCE ±0.5	
SCALE 2:1	UNIT mm.	REV A	CHECK APPROVED		