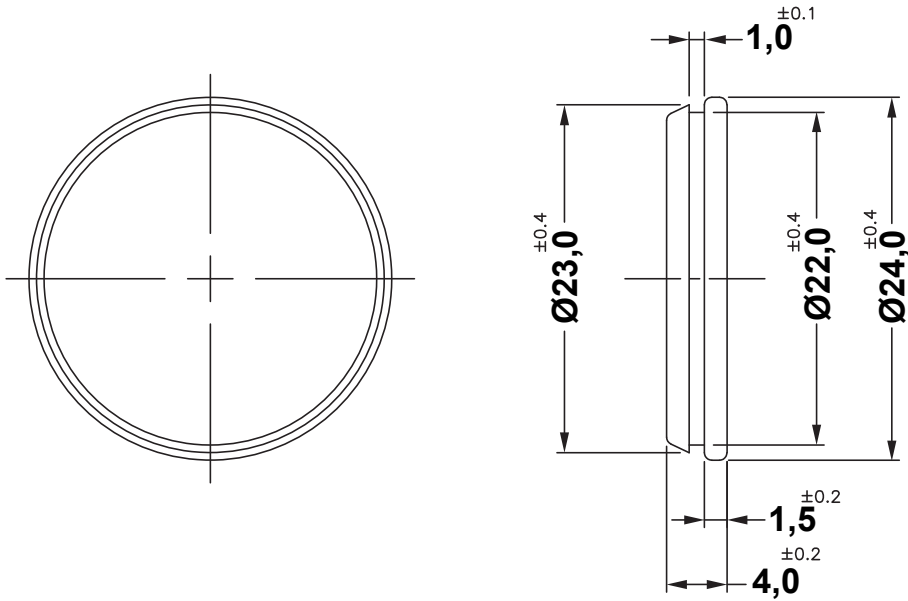



REVISIONS			
REV	DESCRIPTION	DATE	BY



				TITLE HOLE PLUGS	
				MATERIAL TPE	DATE 11/05/2020
PART NUMBER 14872PS00				DRAWN R.F.	
				DRAWING NUMBER 20.05.11.14872.0.E	
COLOR NATURAL				CHECK	
SIZE A4	SCALE 2:1	UNIT mm.	REV A	UNLESS OTHERWISE SPECIFIED TOLERANCE SEE ABOVE	
				APPROVED	