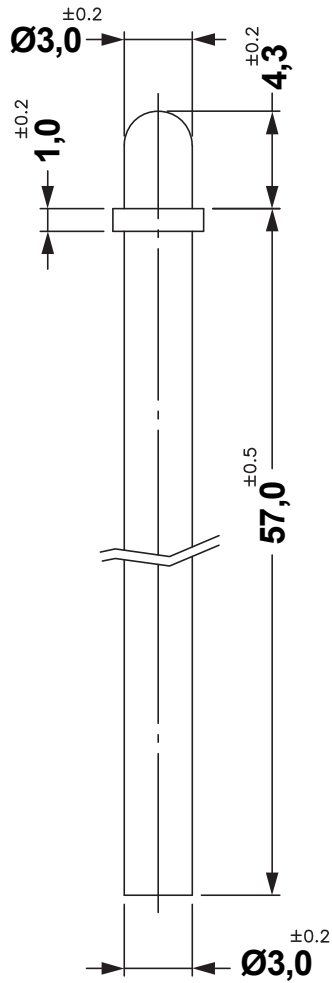
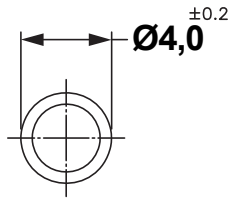



REVISIONS			
REV	DESCRIPTION	DATE	BY



MOUNTING HOLE $\text{Ø}3,0$

				TITLE LIGHT PIPE	
				MATERIAL PC V0(UL94)	DATE 28/04/2020
PART NUMBER 14469NV00				DRAWING NUMBER 20.04.28.14469.0.E	
				COLOR CLEAR	CHECK
SIZE A4	SCALE NTS	UNIT mm.	REV A	UNLESS OTHERWISE SPECIFIED TOLERANCE SEE ABOVE	APPROVED