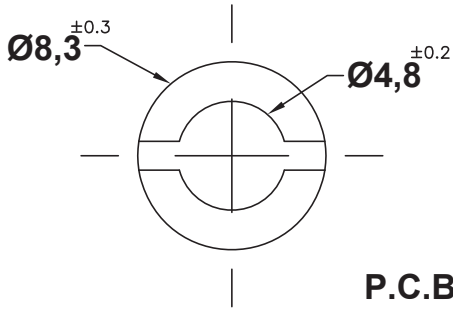
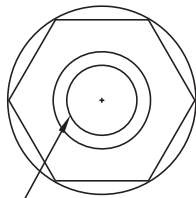
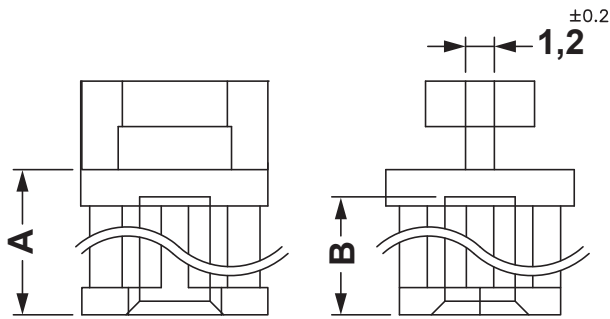


DIM.	TOL.
5mm DOWN	±0.2
5~20mm	±0.3
20~40mm	±0.4
40~60mm	±0.5
60~100mm	±0.8
100mm UP	±1.0

REVISIONS			
REV	DESCRIPTION	DATE	BY

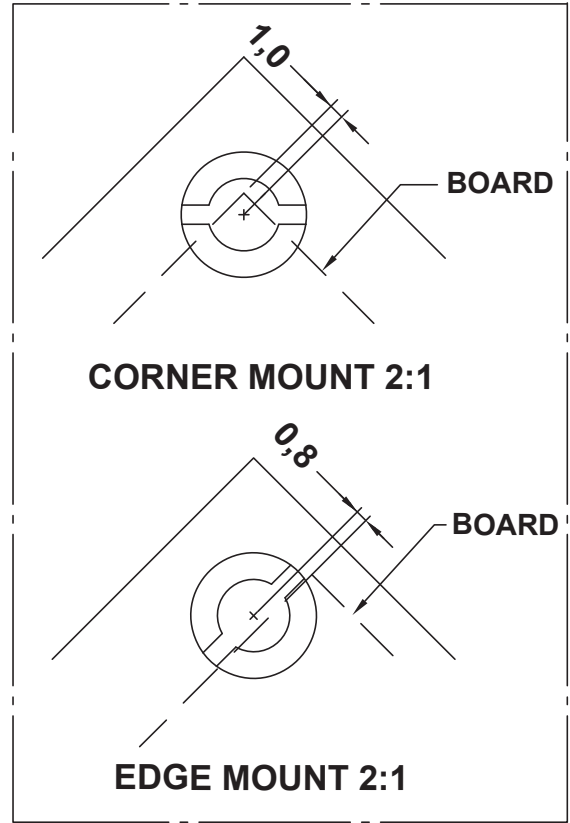


P.C.B THICKNESS 1,6



Ø3,1 ±0.2

HOLE FOR #6 (M3.5) SELF TAPPING SCREW



P/N	A	B
14439AA00	6,4	5,2
14440AA00	9,5	7,9
14441AA00	12,7	
14442AA00	15,9	



TITLE SPACER SUPPORT	
MATERIAL PA66 V2(UL94)	DATE 22/04/2020
	DRAWN R.F.
COLOR NATURAL	CHECK
PART NUMBER SEE TABLE	DRAWING NUMBER 20.04.22.144XX.0.E
SIZE A4	SCALE NTS
UNIT mm.	REV A
UNLESS OTHERWISE SPECIFIED TOLERANCE SEE ABOVE	
APPROVED	