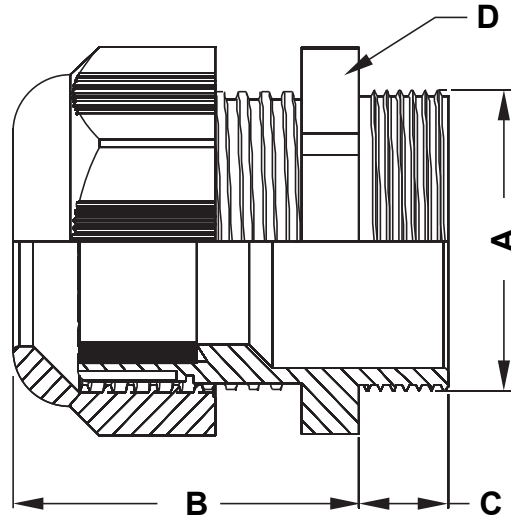




REVISIONS			
REV	DESCRIPTION	DATE	BY



P/N RAL 9005	P/N RAL 5015	A	B	C	D	Ø Cable
15042AA019005	15054AA085015	M 12 x 1,5	24,0	8,0	15,0	3,0 - 6,5
15043AA019005	15055AA085015	M 16 x 1,5	28,0	8,0	19,0	4,0 - 8,0
15044AA019005	15056AA085015	M 16 x 1,5	29,0	10,0	22,0	5,0 - 10,0
15045AA019005	15057AA085015	M 20 x 1,5	29,0	10,0	24,0	4,0 - 10,0
15046AA019005	15058AA085015	M 20 x 1,5	29,0	10,0	24,0	6,0 - 12,0
15047AA019005	15059AA085015	M 20 x 1,5	33,0	10,0	27,0	10,0 - 14,0
15048AA019005	15060AA085015	M 25 x 1,5	38,0	10,0	33,0	9,0 - 17,0
15049AA019005	15061AA085015	M 25 x 1,5	38,0	10,0	33,0	13,0 - 18,0
15050AA019005	15062AA085015	M 32 x 1,5	41,0	10,0	42,0	18,0 - 25,0
15051AA019005	15063AA085015	M 40 x 1,5	51,0	10,0	53,0	22,0 - 32,0
15052AA019005	15064AA085015	M 50 x 1,5	53,0	18,0	60,0	30,0 - 38,0
15053AA019005	15065AA085015	M 63 x 1,5	55,0	18,0	70,0	34,0 - 44,0

Gland body : Polyamide PA6
 Connection thread : Metric (EN 60423)
 Colour : Black (RAL 9005) - Blue (RAL 5015)

Standarts : EN 60079-0, 60079-7, 60079-31
 Protection class : IP68 5 Bar
 Temperature range : -30 °C +100 °C

		TITLE		METRIC THREAD CABLE GLANDS IP68	
		MATERIAL		DATE	
PART NUMBER		DRAWING NUMBER		DRAWN	
SEE TABLE		20.06.29.150XX.0.E		R.F.	
SIZE		SCALE		CHECK	
A4		NTS		SEE ABOVE	
UNIT		REV		UNLESS OTHERWISE SPECIFIED TOLERANCE	
mm.		A		APPROVED	