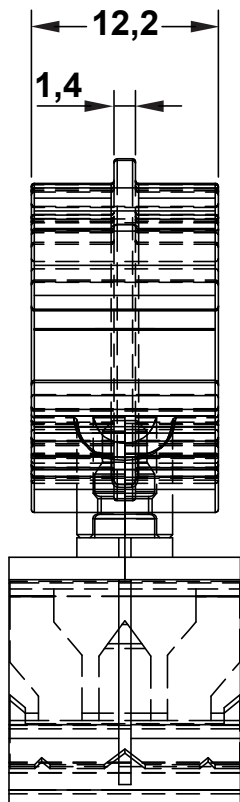
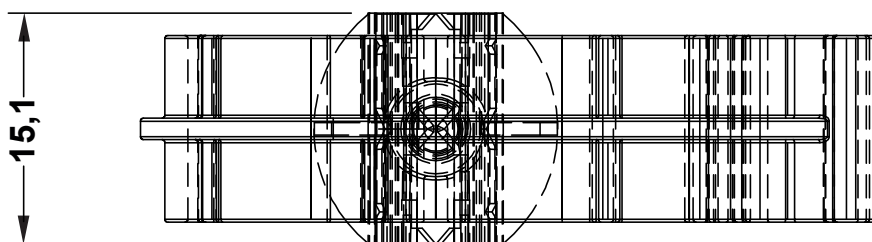
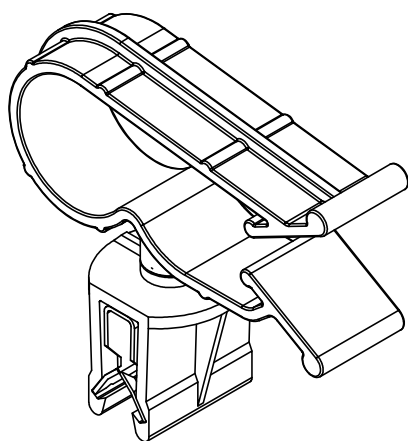
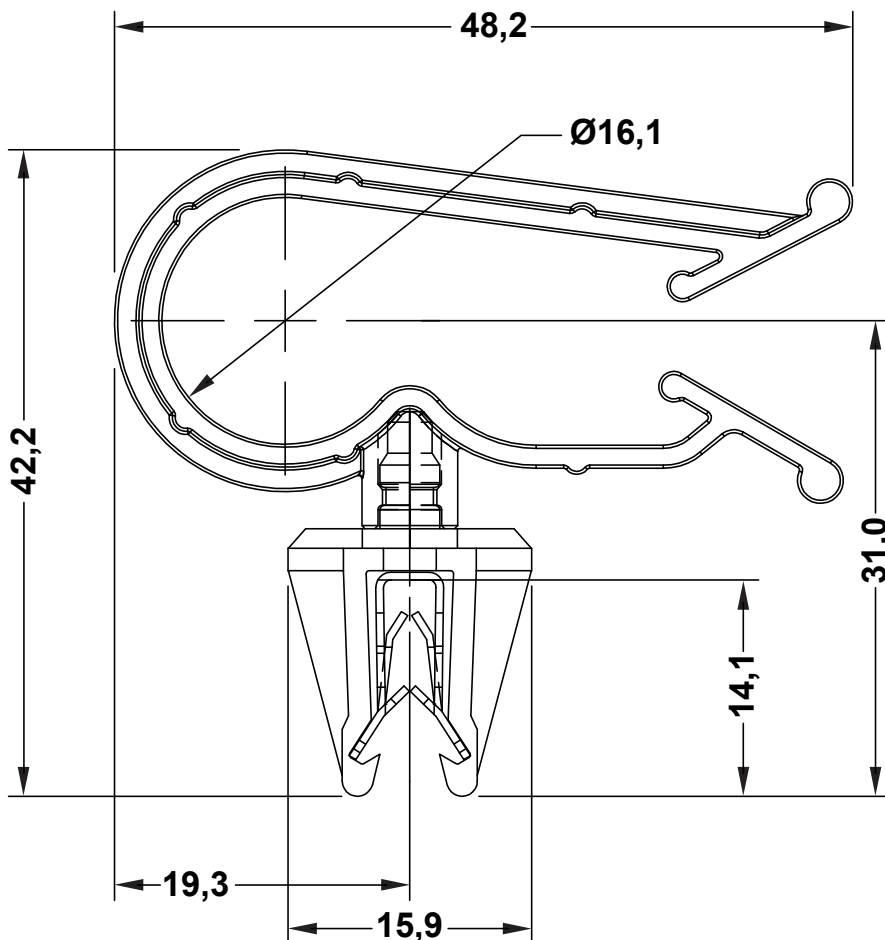


Dimensions	Tolerance
5mm DOWN	±0.2
5~20mm	±0.3
20~40mm	±0.4
40~60mm	±0.5
60~100mm	±0.8
100mm UP	±1.0

REVISIONS			
REV	DESCRIPTION	DATE	BY



HOLDING FORCE
5N - 50N



TUBE DIAMETER Ø16,0 - 16,2
PANEL THICKNESS: 1,5 - 2,0



TITLE WIRE CLIPS LATERAL OPENING	
MATERIAL PA66 V2(UL94)	DATE 01/06/2020
COLOR BLACK	DRAWN R.F.
PART NUMBER 14991AA01	DRAWING NUMBER 20.06.01.14991.0.E
SIZE A4	SCALE 1:1
UNIT mm.	REV A
UNLESS OTHERWISE SPECIFIED TOLERANCE SEE ABOVE	CHECK APPROVED