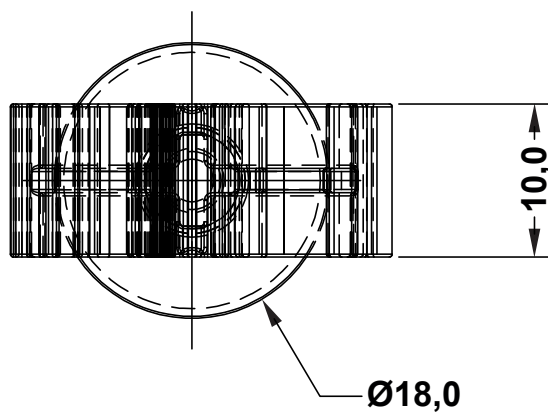
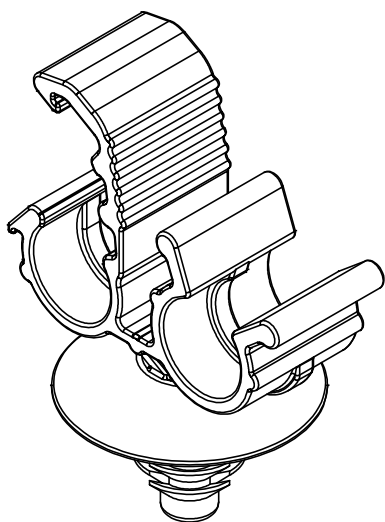
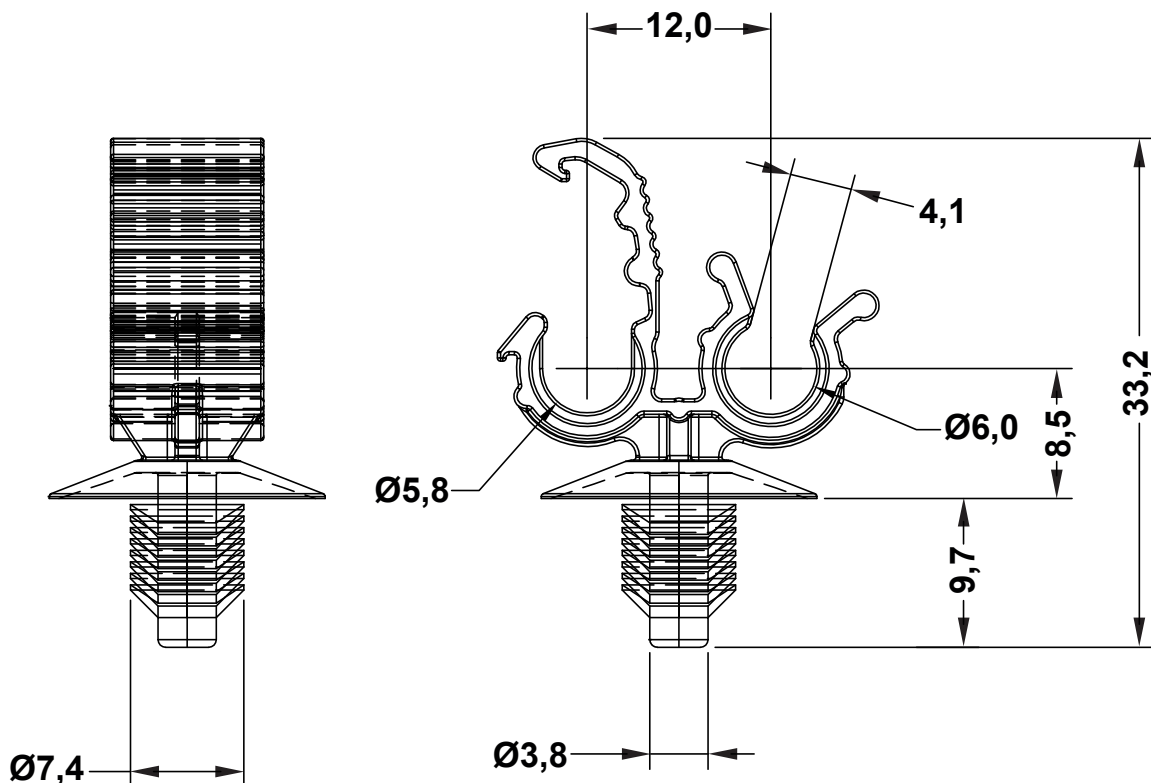


Dimensions	Tolerance
5mm DOWN	±0.2
5~20mm	±0.3
20~40mm	±0.4
40~60mm	±0.5
60~100mm	±0.8
100mm UP	±1.0

REVISIONS			
REV	DESCRIPTION	DATE	BY



TUBE DIAMETER $\text{Ø}5,8 - 6,0$
MOUNTING HOLE $\text{Ø}6,5 - 6,7$
PANEL THICKNESS: $1,0 - 2,5$



TITLE WIRE CLIPS TOP OPENING	
MATERIAL PA66 V2(UL94)	DATE 29/05/2020
	DRAWN R.F.
COLOR BLACK	CHECK
PART NUMBER 14988AA01	DRAWING NUMBER 20.05.29.14988.0.E
SIZE A4	SCALE 2:1
UNIT mm.	REV A
UNLESS OTHERWISE SPECIFIED TOLERANCE SEE ABOVE	
APPROVED	