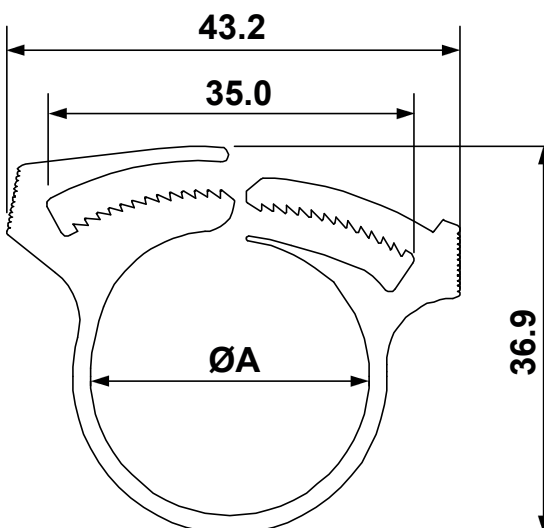
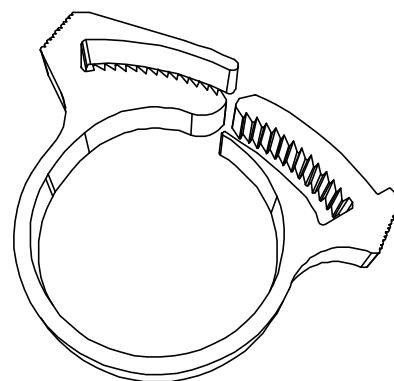


| Dimensions | Tolerance |
|------------|-----------|
| 5mm DOWN | ±0.2 |
| 5~20mm | ±0.3 |
| 20~40mm | ±0.4 |
| 40~60mm | ±0.5 |
| 60~100mm | ±0.8 |
| 100mm UP | ±1.0 |

| REVISIONS | | | |
|-----------|-------------|------|----|
| REV | DESCRIPTION | DATE | BY |
| | | | |
| | | | |



ØA: 21,0 - 25,0



| | | | | | |
|---|---------------------|---|-----------------|---|--|
| TITLE RELEASABLE WIRE AND PIPE CLIPS | | MATERIAL PA66 HB(UL94) | | DATE 22/05/2020 | |
| | | COLOR WHITE | | DRAWN R.F. | |
| PART NUMBER 14860AA02 | | DRAWING NUMBER 22.05.12.14860.0.E | | CHECK (blank) | |
| SIZE A4 | SCALE NTS | UNIT mm. | REV A | UNLESS OTHERWISE SPECIFIED TOLERANCE APPROVED | |