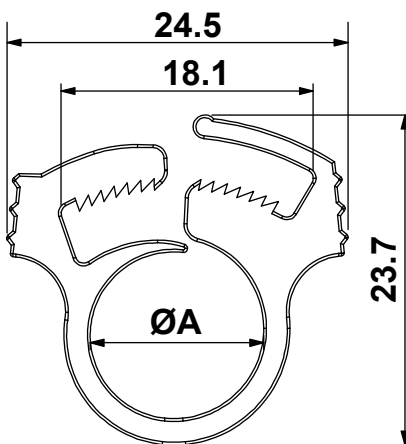
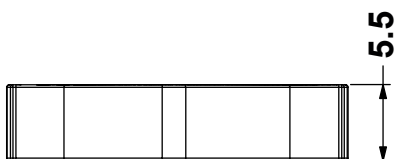



Dimensions	Tolerance
5mm DOWN	±0.2
5~20mm	±0.3
20~40mm	±0.4
40~60mm	±0.5
60~100mm	±0.8
100mm UP	±1.0

REVISIONS			
REV	DESCRIPTION	DATE	BY



ØA: 10,0 - 11,0

				TITLE RELEASABLE WIRE AND PIPE CLIPS	
				MATERIAL POM HB(UL94)	DATE 22/05/2020
PART NUMBER 14858GA00				DRAWN R.F.	
				CHECK	
DRAWING NUMBER 22.05.12.14858.0.E		COLOR NATURAL		UNLESS OTHERWISE SPECIFIED TOLERANCE	
SIZE A4	SCALE NTS	UNIT mm.	REV A	APPROVED	