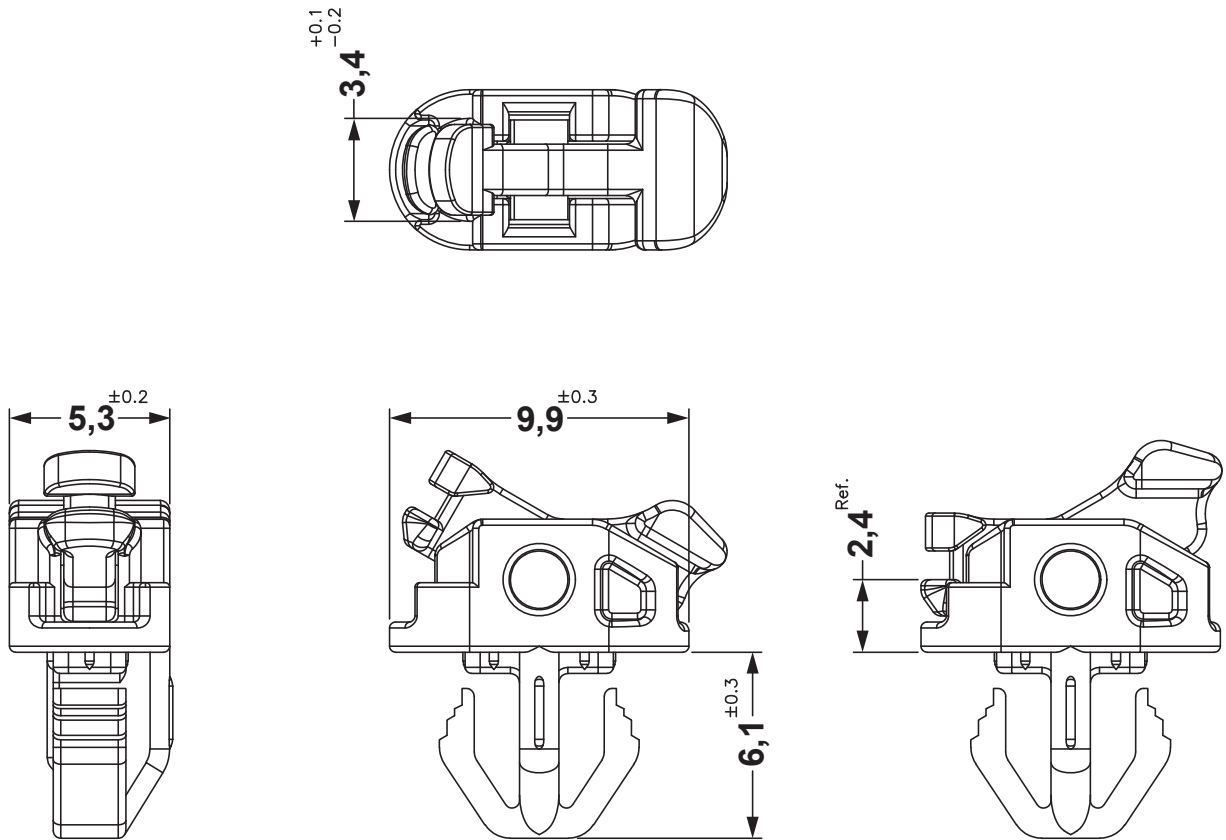



REVISIONS			
REV	DESCRIPTION	DATE	BY



RECOMMEND MOUNTING HOLE
RECOMMEND THICKNESS: 1,8 - 2,2

		TITLE SPACER SUPPORT	
		BODY MATERIAL PA66 V2(UL94)	DATE 22/04/2020
PART NUMBER 14444AA01		LATCH MATERIAL PA66 + GF V0(UL94)	DRAWN R.F.
SIZE A4	SCALE 4:1	COLOR BLACK	CHECK
UNIT mm.	DRAWING NUMBER 20.04.22.14444.0.E	UNLESS OTHERWISE SPECIFIED TOLERANCE SEE ABOVE	APPROVED
REV A	PART NUMBER 14444AA01	DRAWING NUMBER 20.04.22.14444.0.E	DATE 22/04/2020