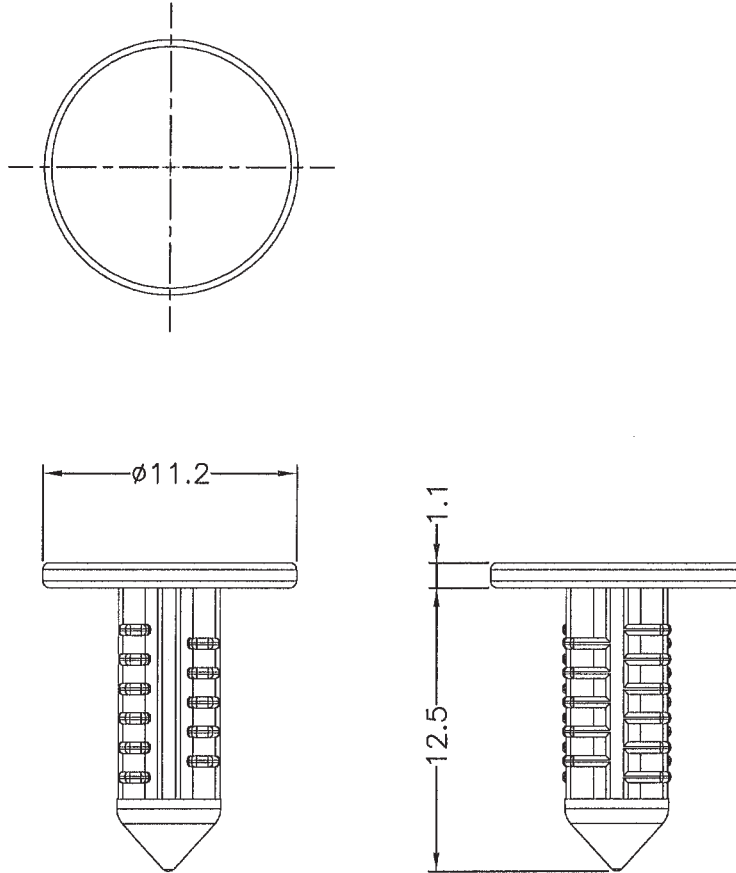



DIM.	TOL
L≤10	±0.2
10<L≤30	±0.3
30<L≤50	±0.5
50<L≤100	±0.7
100<L≤250	±1.2
ABOVE 250	±1.5

REVISIONS			
REV	DESCRIPTION	DATE	BY



MOUNTING HOLE : ϕ 5
THICKNESS 2.5~4.5mm

		TITLE SNAP RIVET	
		MATERIAL PA66 ZYTEL 103HSL	DATE 17/05/2021
PART NUMBER 10505AA01		DRAWING NUMBER 21.05.17.10505.0.E	
COLOR BLACK		CHECK 	
SIZE A4	SCALE NTS	UNIT mm.	REV A
UNLESS OTHERWISE SPECIFIED TOLERANCE SEE ABOVE		APPROVED	