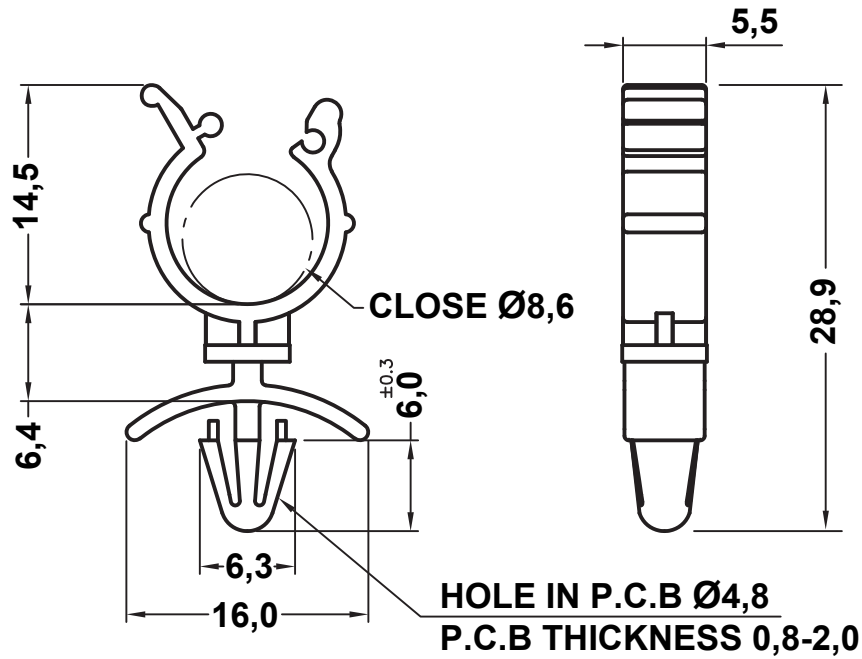


DIM.	TOL
L≤10	±0.2
10<L≤30	±0.3
30<L≤50	±0.5
50<L≤100	±0.7
100<L≤250	±1.2
ABOVE 250	±1.5

REVISIONS			
REV	DESCRIPTION	DATE	BY



TITLE WIRE MOUNT		MATERIAL PA 66 V2(UL94)		DATE 30/09/2019	
		COLOR NATURAL		DRAWN R.F.	
PART NUMBER 13178AA00		DRAWING NUMBER 19.09.30.13178.0.E		CHECK APPROVED	
SIZE A4	SCALE NTS	UNIT mm.	REV A	UNLESS OTHERWISE SPECIFIED TOLERANCE SEE ABOVE	