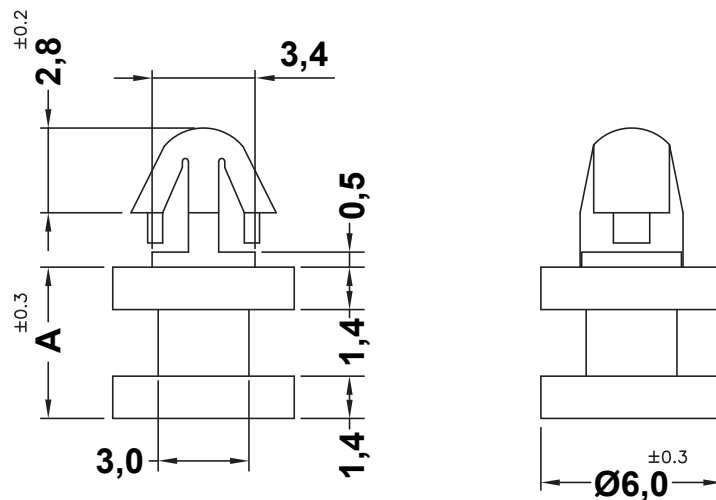


DIM.	TOL.
5mm DOWN	±0.2
5~20mm	±0.3
20~40mm	±0.4
40~60mm	±0.5
60~100mm	±0.8
100mm UP	±1.0

REVISIONS			
REV	DESCRIPTION	DATE	BY



**HOLE IN P.C.B Ø3,5**  
**P.C.B THICKNESS 1,6**

P/N	A
11435AA0005.0	5.0
11435AA0005.5	5.5
11435AA0006.0	6.0
11435AA0006.5	6.5
11435AA0007.0	7.0
11435AA0009.0	9.0
11435AA0010.0	10.0
11435AA0013.0	13.0
11435AA0013.5	13.5
11435AA0026.0	26.0



TITLE <b>SPACER SUPPORT</b>	
MATERIAL PA 66 V2(UL94)	DATE 07/10/2019
	DRAWN R.F.
COLOR NATURAL	CHECK
PART NUMBER SEE TABLE	DRAWING NUMBER 19.10.07.11435.0.E
SIZE A4	SCALE 4:1
UNIT mm.	REV A
UNLESS OTHERWISE SPECIFIED TOLERANCE SEE ABOVE	APPROVED