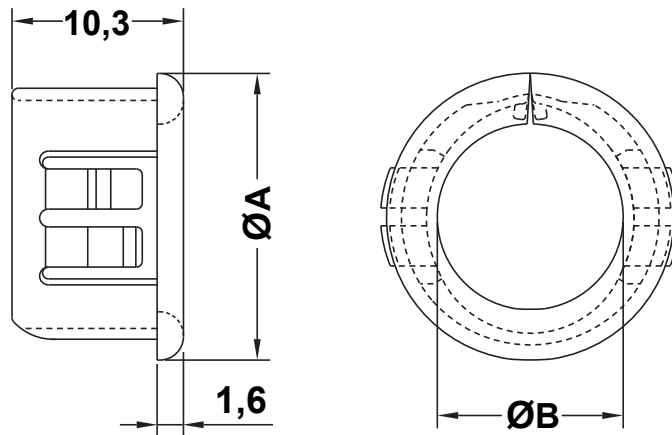



DIM.	TOL.
5mm DOWN	±0.2
5~20mm	±0.3
20~40mm	±0.4
40~60mm	±0.5
60~100mm	±0.8
100mm UP	±1.0

REVISIONS			
REV	DESCRIPTION	DATE	BY



THICKNESS 0,8 - 3,2

P/N	ØA	ØB	MOUNTING HOLE
5891AA01	12,3	7,9	Ø11,1
5892AA01	14,3	7,9	Ø12,7
5893AA01	16,3	9,9	Ø14,3
5894AA01	17,5	11,5	Ø15,9
5895AA01	20,2	13,9	Ø19,0
5896AA01	23,4	17,1	Ø22,2
5897AA01	27,0	20,2	Ø25,4
5898AA01	28,6	22,0	Ø27,8
5899AA01	34,1	26,6	Ø31,8
5900AA01	37,3	29,8	Ø34,9

				TITLE RIGID SEMI-BLIND SNAP CABLE BUSHINGS	
				MATERIAL PA 66 V2(UL94)	
PART NUMBER SEE TABLE				DRAWN R.F.	
DRAWING NUMBER 19.04.17.5XXX.0.E				CHECK	
COLOR BLACK				APPROVED	
SIZE A4	SCALE NTS	UNIT mm.	REV A	UNLESS OTHERWISE SPECIFIED TOLERANCE SEE ABOVE	