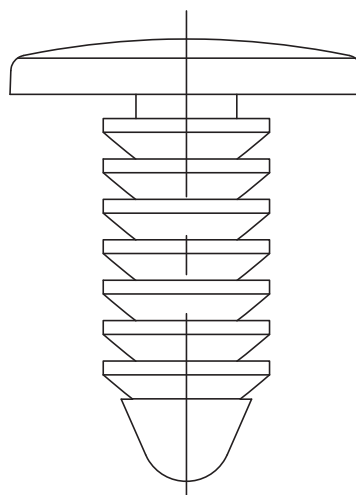
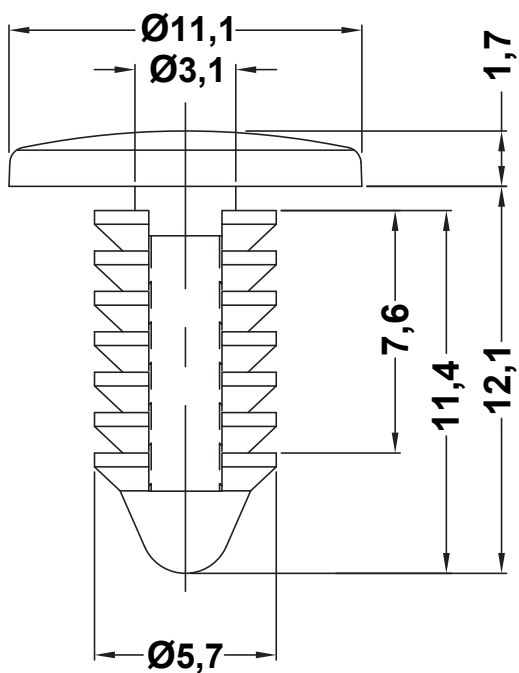
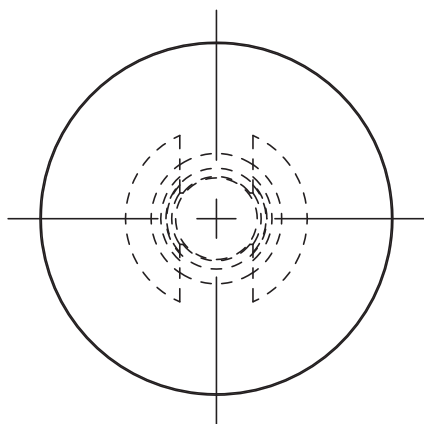



DIM.	TOL.
5mm DOWN	±0.2
5~20mm	±0.3
20~40mm	±0.4
40~60mm	±0.5
60~100mm	±0.8
100mm UP	±1.0

REVISIONS			
REV	DESCRIPTION	DATE	BY



**MOUNTING HOLE Ø4,7
PANEL THICKNESS 0,7 - 6,7**

				TITLE TOOTHED CLIPS	
				MATERIAL PA 66 HB(UL94)	DATE 15/04/2019
PART NUMBER 12657AA01				DRAWING NUMBER 19.04.15.12657.0.E	
DRAWING NUMBER 19.04.15.12657.0.E				COLOR BLACK	CHECK
SIZE A4	SCALE NTS	UNIT mm.	REV A	UNLESS OTHERWISE SPECIFIED TOLERANCE SEE ABOVE	APPROVED