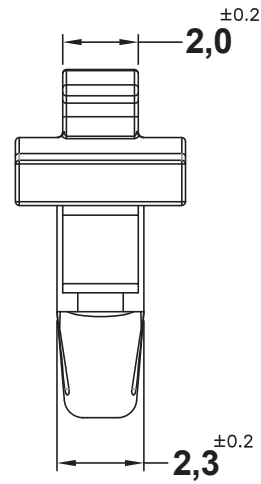
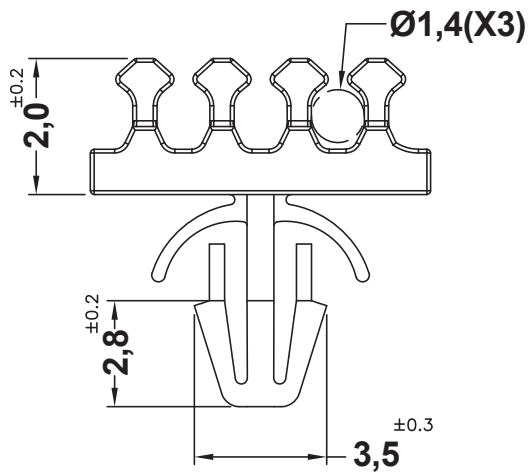
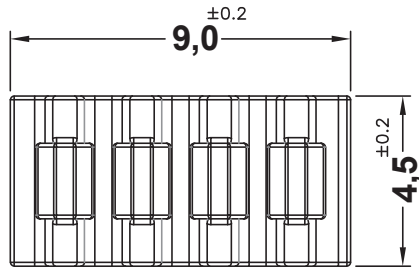


REVISIONS			
REV	DESCRIPTION	DATE	BY



**HOLE IN P.C.B. Ø2,5**  
**P.C.B. THICKNESS 1,6**



<b>TITLE</b> <b>WIRE MOUNT</b>		<b>MATERIAL</b> PA 6.6 V2(UL94)		<b>DATE</b> 13/03/2019	
		<b>COLOR</b> NATURAL		<b>DRAWN</b> R.F.	
<b>PART NUMBER</b> 12874AA00		<b>DRAWING NUMBER</b> 19.03.13.12874.0.E		<b>CHECK</b> APPROVED	
<b>SIZE</b> A4	<b>SCALE</b> 5:1	<b>UNIT</b> mm.	<b>REV</b> A	<b>UNLESS OTHERWISE SPECIFIED TOLERANCE</b>	