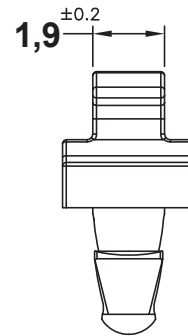
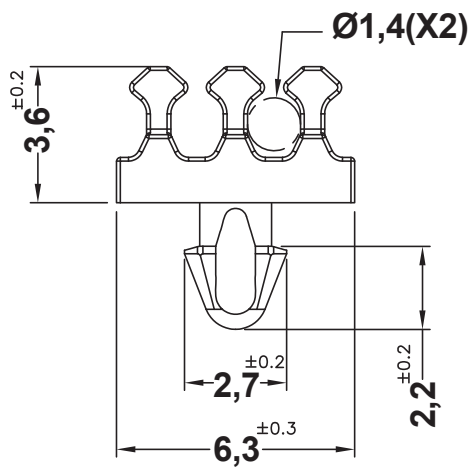
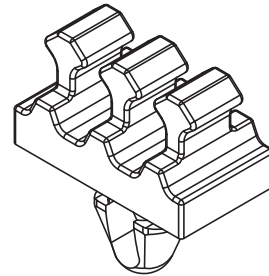
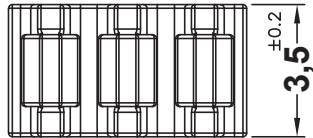


REVISIONS			
REV	DESCRIPTION	DATE	BY



HOLE IN P.C.B. Ø2,0
P.C.B. THICKNESS: 1,0



TITLE WIRE MOUNT		MATERIAL PA 6.6 V2(UL94)		DATE 12/03/2019	
		COLOR BLACK		DRAWN R.F.	
PART NUMBER 12873AA01		DRAWING NUMBER 19.03.12.12873.0.E		CHECK 	
SIZE A4	SCALE 5:1	UNIT mm.	REV A	UNLESS OTHERWISE SPECIFIED TOLERANCE 	
				APPROVED 	