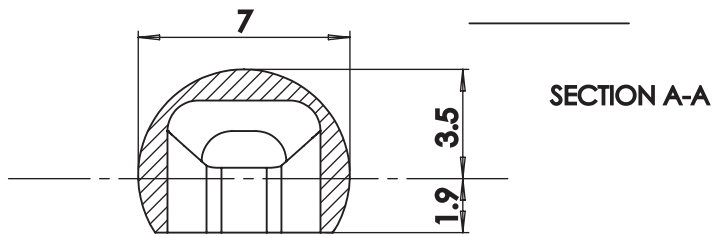
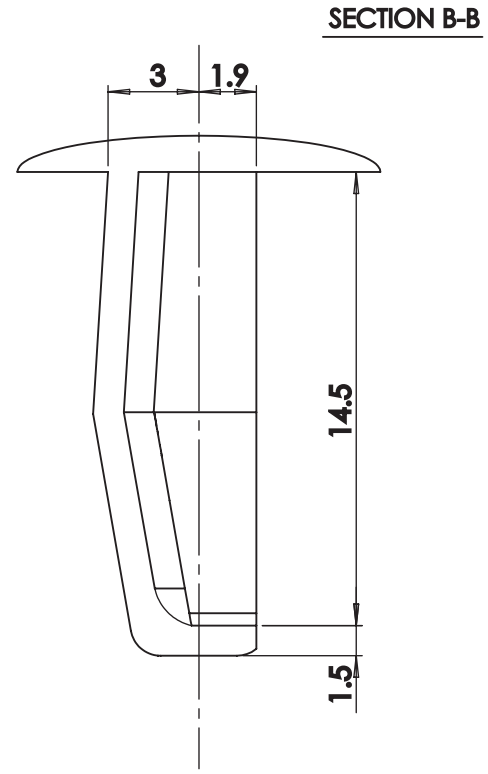
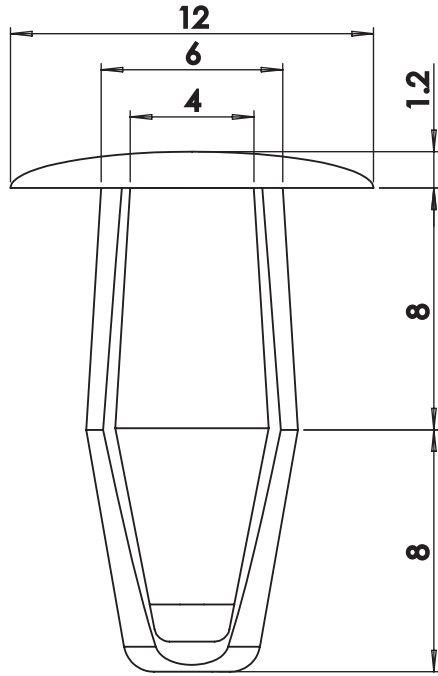


DIM.	TOL
5mm DOWN	±0.2
5~20mm	±0.3
20~40mm	±0.4
40~60mm	±0.5
60~100mm	±0.8
100mm UP	±1.0



REV.	DESCRIPTION	DATE	TITLE: CLIP Ø 6,5	DWG UNIT: MM
	MATERIAL: PA66 V2 UL94		Modelled in RHINO 4.0	FILE:
	COLOUR: NATURAL		TOLLERANCES UNLESS NOTED	SHEET: 1 OF 1
			.XX= +/-010	SCALE: NTS
			.XXX= +/-005	
			FRAC.= +/- 1/64	
			ANG.= +/-1°	
			DwN: 13/11/13	ChkD:
			DT: 13.11.11.2332.E.0	Part Number: 2332AA00
			