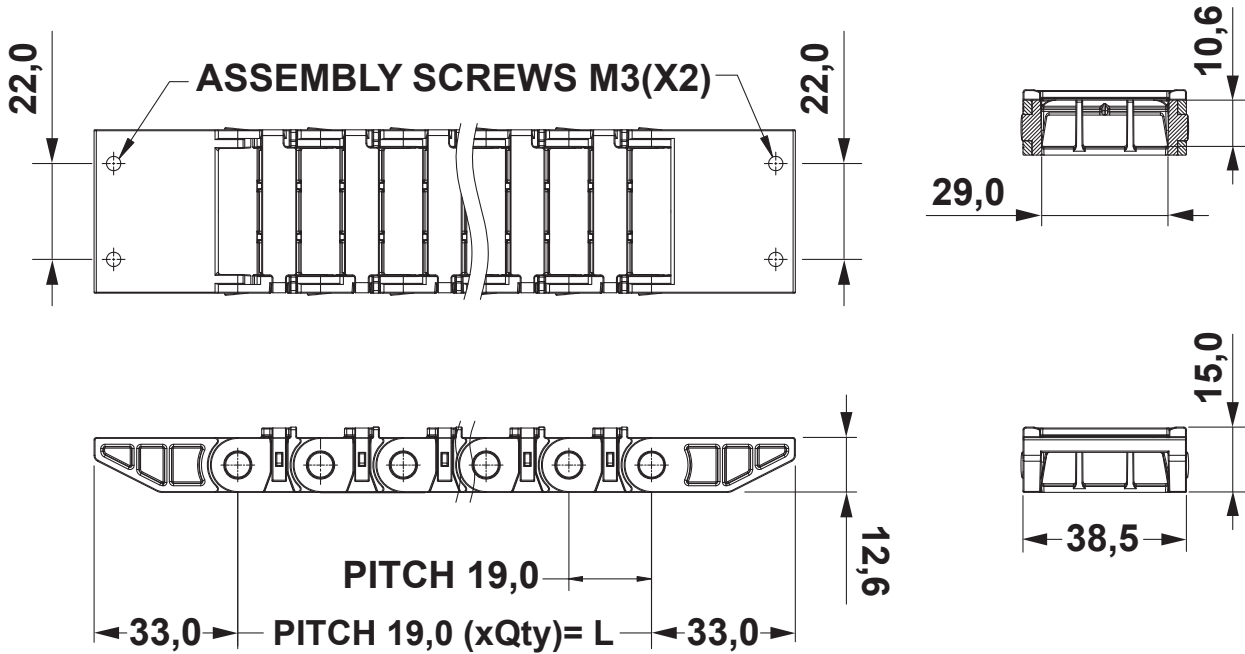
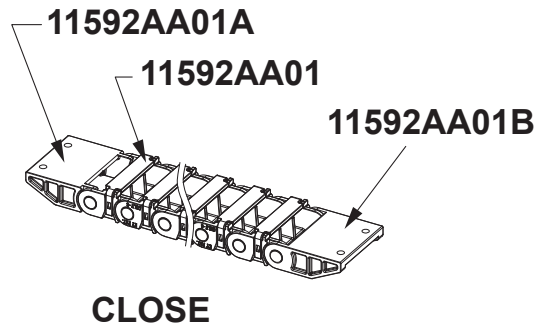



DIM.	TOL.
5mm DOWN	±0.2
5~20mm	±0.3
20~40mm	±0.4
40~60mm	±0.5
60~100mm	±0.8
100mm UP	±1.0

REVISIONS			
REV	DESCRIPTION	DATE	BY



				TITLE TRACK WIRE HOLDER SET	
				MATERIAL PA66 V2(UL94)	DATE 23/11/2017
PART NUMBER 11592AA01				DRAWN R.F.	
				DRAWING NUMBER 17.11.23.11592.0.E	
SIZE A4				COLOR BLACK	
				CHECK	
SCALE NTS		UNIT mm.		UNLESS OTHERWISE SPECIFIED TOLERANCE SEE ABOVE	
REV A		APPROVED			