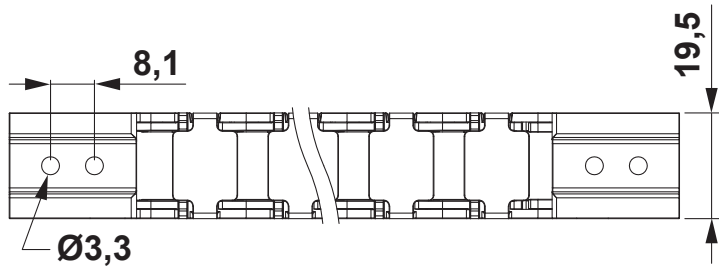
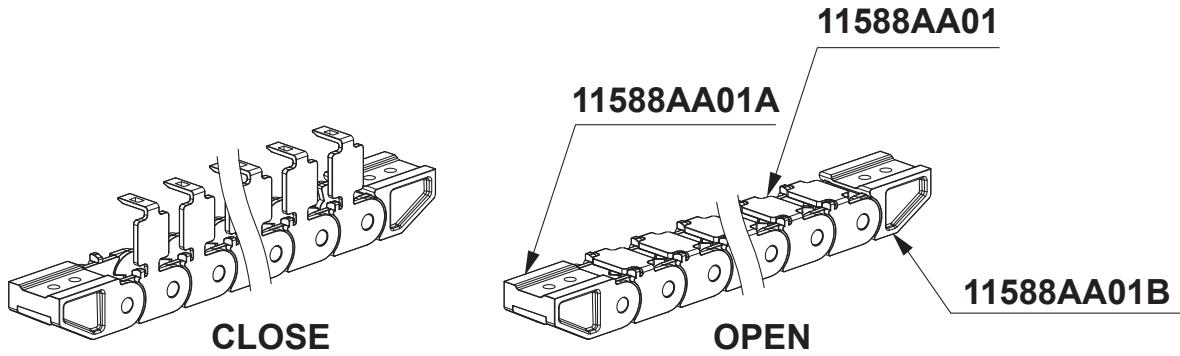
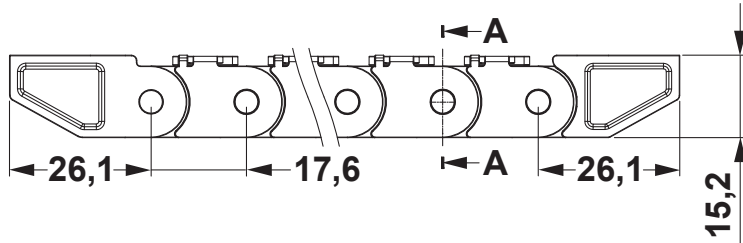
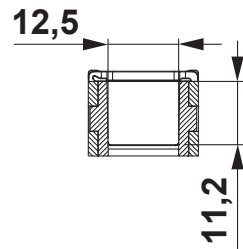



DIM.	TOL.
5mm DOWN	±0.2
5~20mm	±0.3
20~40mm	±0.4
40~60mm	±0.5
60~100mm	±0.8
100mm UP	±1.0

REVISIONS			
REV	DESCRIPTION	DATE	BY



SECTION A-A



				TITLE TRACK WIRE HOLDER SET	
				MATERIAL PA66 V2(UL94)	DATE 28/11/2017
PART NUMBER 11588AA01				DRAWN R.F.	
				CHECK	
DRAWING NUMBER 17.11.28.11588.0.E				COLOR NATURAL	
SIZE A4	SCALE NTS	UNIT mm.	REV A	UNLESS OTHERWISE SPECIFIED TOLERANCE SEE ABOVE	
				APPROVED	