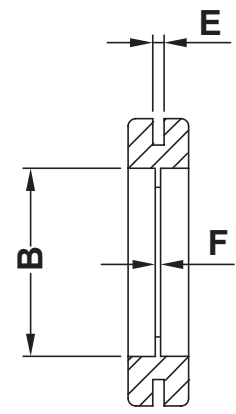
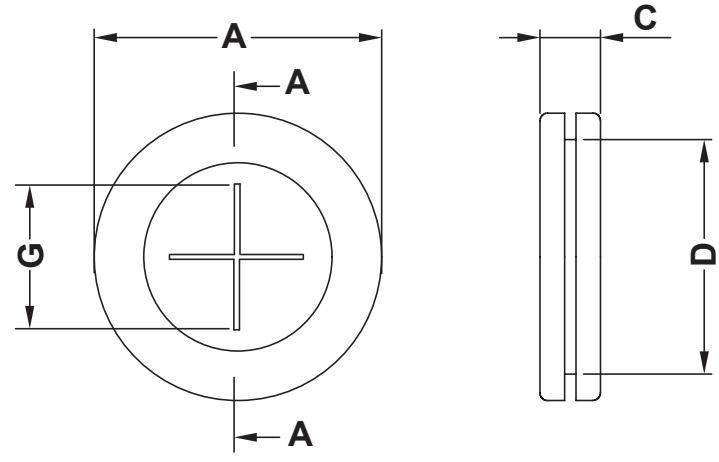


Dimensions	Tolerance
5mm DOWN	±0.2
5~20mm	±0.3
20~40mm	±0.4
40~60mm	±0.5
60~100mm	±0.8
100mm UP	±1.0

REVISIONS			
REV	DESCRIPTION	DATE	BY



**SECTION A-A**

P/N	A	B	C	D	E	F	G
5853PF01MS	20,0	9,0	7,0	15,5	2,0	1,0	6,0
5854PF01MS	23,0	11,0	7,0	18,5	2,0	1,0	10,0
5855PF01MS	25,0	13,5	7,0	20,5	2,0	1,0	10,0
5856PF01MS	27,5	16,0	7,0	22,5	2,0	1,0	10,0
5857PF01MS	35,0	21,0	8,0	28,0	2,0	1,0	14,0
5858PF01MS	44,0	29,0	9,0	37,0	2,0	1,0	17,0
5859PF01MS	54,0	36,0	10,0	47,0	2,5	1,2	27,0
5876PF01MS	68,0	47,0	9,0	59,0	2,5	1,5	27,0

	DESCRIPTION	TITLE: <b>SOFT GROMMETS WITH MEMBRANE</b>	DWG UNIT: MM
MATERIAL: TPE Shore A 45		Modelled in RHINO 4.0	FILE: DwN:17/11/30.58XX.0.E
COLOUR: Black		TOLLERANCES	SHEET: 1 OF 1
WORKING TEMPERATURE: -30°C - + 100°C		ISO 3302-1M	DT: 30/11/17
FLAMMABILITY: HB UL94			SCALE: NTS
REV.			

