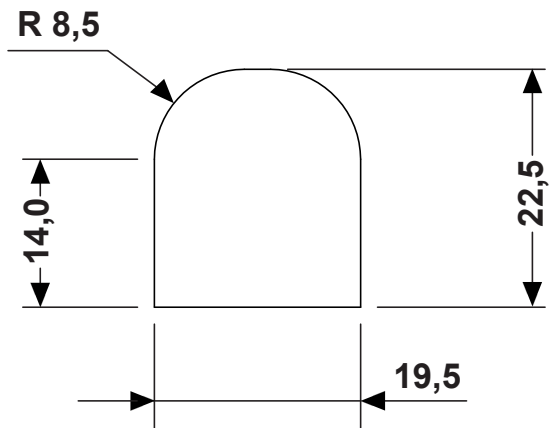
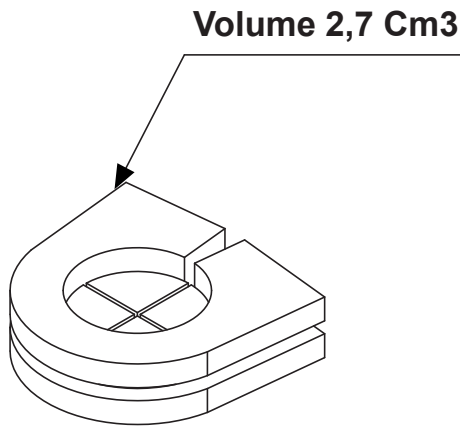
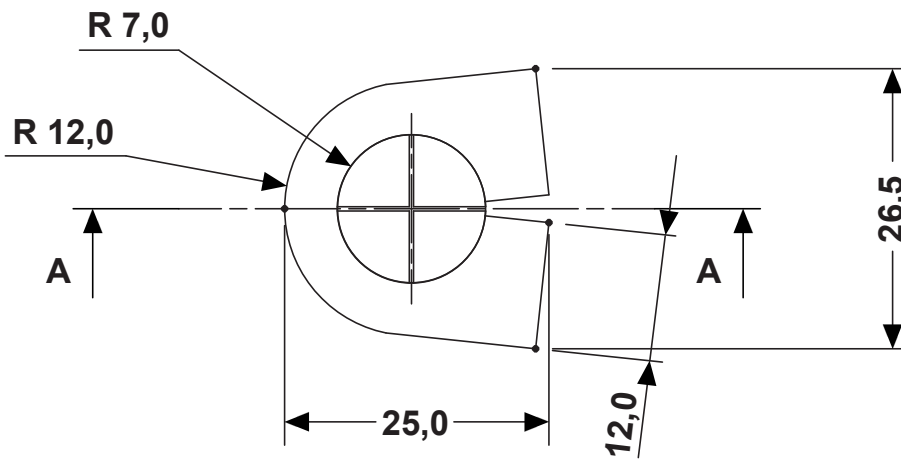
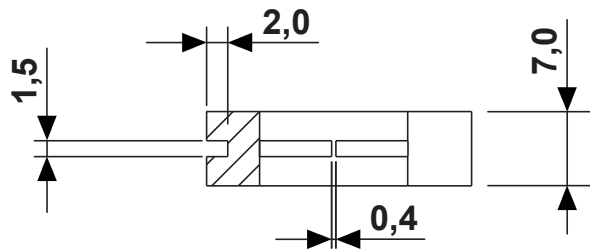


DIM.	TOL.
5mm DOWN	±0.2
5~20mm	±0.3
20~40mm	±0.4
40~60mm	±0.5
60~100mm	±0.8
100mm UP	±1.0

REVISIONS			
REV	DESCRIPTION	DATE	BY



**SECTION A-A**



		TITLE <b>BORDER GROMMETS 60 SHORE</b>	
		MATERIAL TPE HB(UL94)	DATE 26/04/2018
PART NUMBER 12621PS01		DRAWN R.F.	
DRAWING NUMBER 18.04.26.12621.0.E		CHECK	
SIZE A4	SCALE 1:1	COLOR BLACK	APPROVED
UNIT mm.	REV A	UNLESS OTHERWISE SPECIFIED TOLERANCE SEE ABOVE	