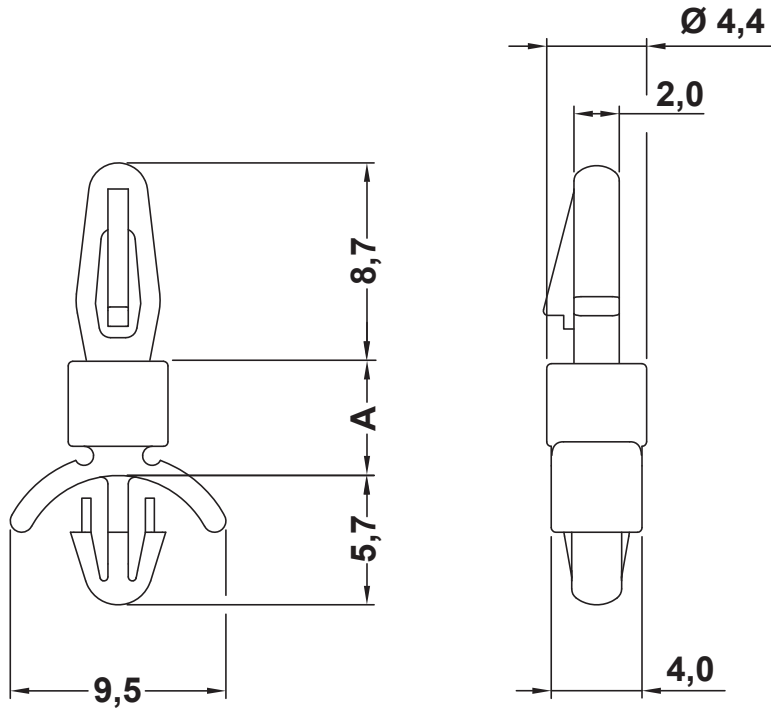


DIM.	TOL.
5mm DOWN	±0.2
5~20mm	±0.3
20~40mm	±0.4
40~60mm	±0.5
60~100mm	±0.8
100mm UP	±1.0


REVISIONS			
REV	DESCRIPTION	DATE	BY

HOLE IN P.C.B  $\phi 3.2$   
P.C.B THICKNESS 1.6~1.7mm



P/N	A
12586AA00	3,2
12587AA00	4,8
12588AA00	6,4
12589AA00	7,9
12590AA00	9,5
12591AA00	11,1
12592AA00	12,7
12593AA00	14,3
12594AA00	15,9
12595AA00	17,0

HOLE IN P.C.B  $\phi 3.0 \sim \phi 3.2$   
P.C.B THICKNESS 0.8~2.0mm

				TITLE SPACER SUPPORT	
				MATERIAL PA66 V2(UL94)	DATE 11/01/2018
PART NUMBER SEE TABLE DRAWING NUMBER 18.01.11.125XX.0.E				DRAWN R.F.	
				COLOR NATURAL	
SIZE A4	SCALE NTS	UNIT mm.	REV A	UNLESS OTHERWISE SPECIFIED TOLERANCE SEE ABOVE	
				APPROVED	