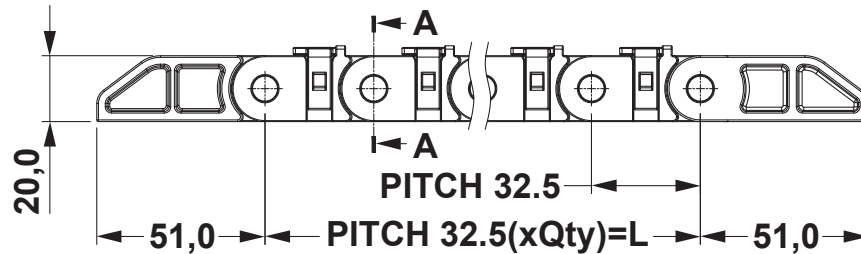
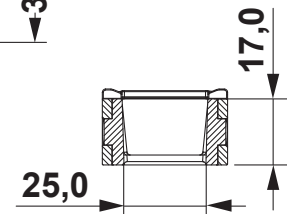
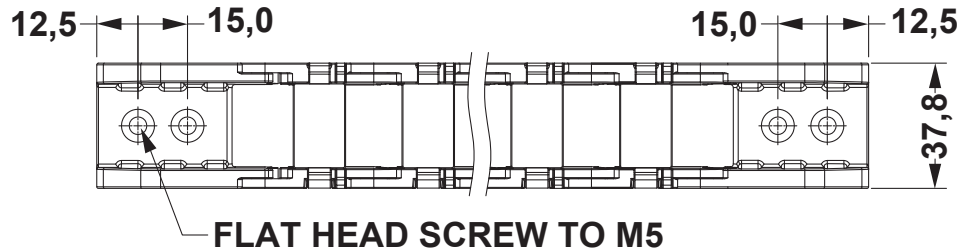
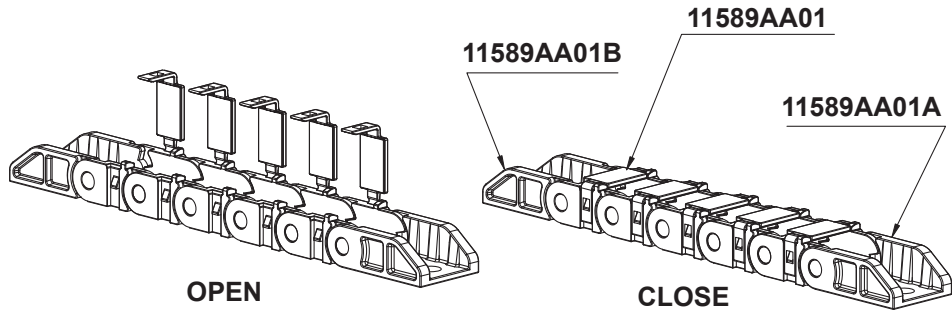



| DIM. | TOL. |
|----------|------|
| 5mm DOWN | ±0.2 |
| 5~20mm | ±0.3 |
| 20~40mm | ±0.4 |
| 40~60mm | ±0.5 |
| 60~100mm | ±0.8 |
| 100mm UP | ±1.0 |

| REVISIONS | | | |
|-----------|-------------|------|----|
| REV | DESCRIPTION | DATE | BY |
| | | | |
| | | | |



SECTION A-A

| | | | | | |
|---|--------------|-------------|----------|---|--------------------|
|  | | | | TITLE TRACK WIRE HOLDER SET | |
| | | | | MATERIAL PA66 V2(UL94) | DATE 29/11/2017 |
| PART NUMBER 11589AA01 | | | | DRAWING NUMBER 17.11.29.11589.0.E | |
| DRAWN R.F. | | | | CHECK | |
| COLOR BLACK | | | | UNLESS OTHERWISE SPECIFIED TOLERANCE SEE ABOVE | |
| SIZE A4 | SCALE NTS | UNIT mm. | REV A | APPROVED | |