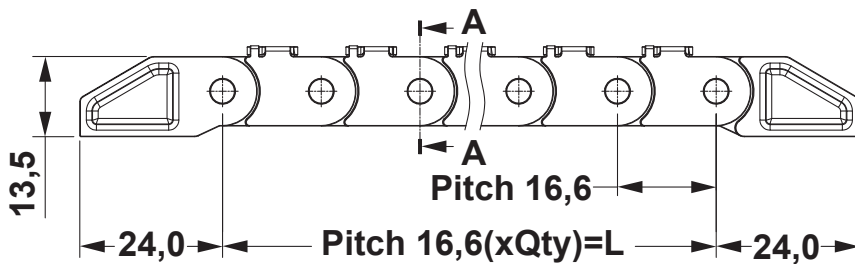
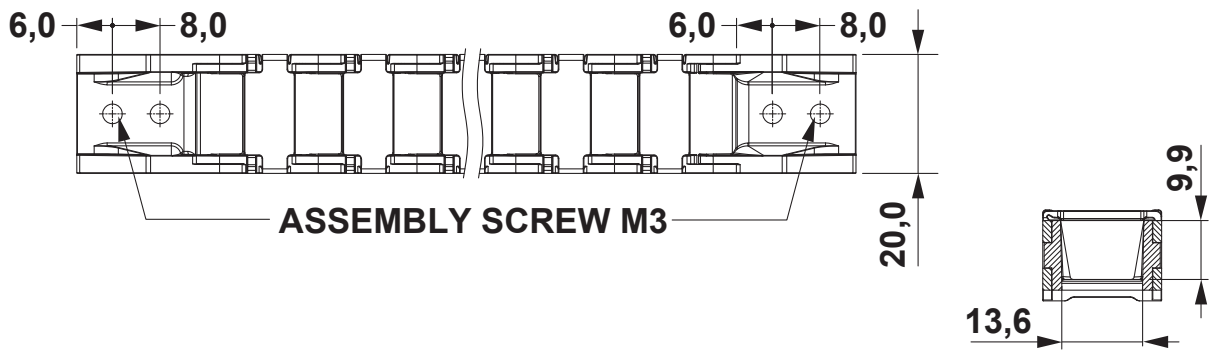
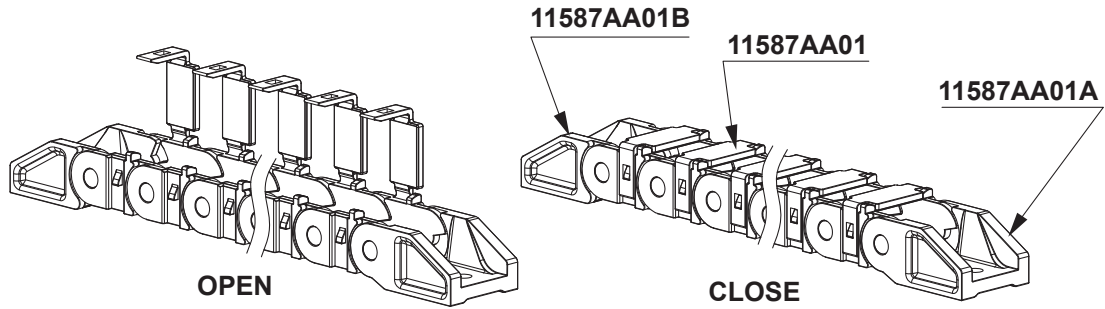



DIM.	TOL.
5mm DOWN	±0.2
5~20mm	±0.3
20~40mm	±0.4
40~60mm	±0.5
60~100mm	±0.8
100mm UP	±1.0

REVISIONS			
REV	DESCRIPTION	DATE	BY



				TITLE <b>TRACK WIRE HOLDER SET</b>	
				MATERIAL PA66 V2(UL94)	DATE 24/11/2017
PART NUMBER <b>11587AA01</b>				DRAWN R.F.	
				COLOR BLACK	
SIZE A4	SCALE NTS	UNIT mm.	REV A	UNLESS OTHERWISE SPECIFIED TOLERANCE SEE ABOVE	
DRAWING NUMBER 17.11.24.11587.0.E				APPROVED	