

1

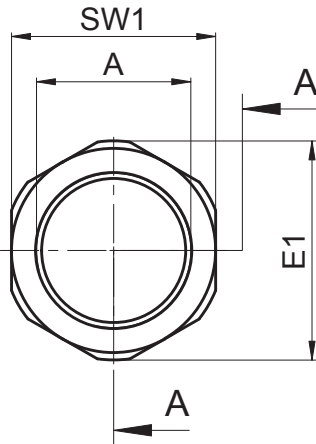
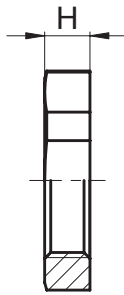
2

3

4

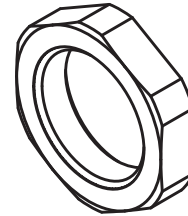
A

A-A



B

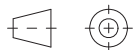
C



D

| Part no.     | A       | SW1 | E1   | H |
|--------------|---------|-----|------|---|
| 8530BB117035 | Pg 7    | 19  | 21   | 5 |
| 8531BB117035 | Pg 9    | 22  | 24   | 5 |
| 8532BB117035 | Pg 11   | 24  | 26   | 5 |
| 8533BB117035 | Pg 13,5 | 27  | 29   | 6 |
| 8534BB117035 | Pg 16   | 30  | 33   | 6 |
| 8535BB117035 | Pg 21   | 36  | 39   | 7 |
| 8536BB117035 | Pg 29   | 46  | 50   | 7 |
| 8537AA117035 | Pg 36   | 60  | 66   | 8 |
| 8538AA117035 | Pg 42   | 65  | 72,8 | 8 |
| 8539AA117035 | Pg 48   | 70  | 78   | 8 |

DIN ISO 5456-2



Material:

PA6 GF 30 (Pg7 - Pg29) RAL 7035  
PA6 (PG36 - Pg48) RAL 7035

"RoHS conformity"

SCALE:

Part number:  
SEE TABLE

Drawing no: 10.04.27.8530.E.0

Date: 27.04.10

Name: VP

Description:

**PG LOCKNUTS**

PG 7 - Pg 48

**fastpoint**

Rev.

Date

Name