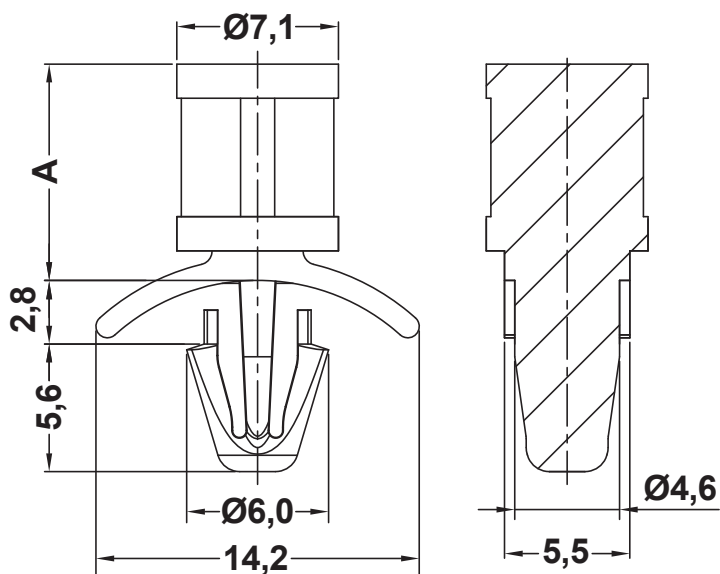



DIM.	TOL.
5mm DOWN	±0.2
5~20mm	±0.3
20~40mm	±0.4
40~60mm	±0.5
60~100mm	±0.8
100mm UP	±1.0

REVISIONS			
REV	DESCRIPTION	DATE	BY



P/N	A
9678AA00	4,8
9679AA00	6,4
9680AA00	7,9
9681AA00	9,5
9682AA00	11,1
9683AA00	12,7
9684AA00	15,9
9685AA00	19,1
9686AA00	22,2

**MOUNTING HOLE  $\text{Ø}4,8$**   
**PANEL THICKNESS 0,8 - 2,0**

		TITLE <b>P.C.B. SUPPORT SPACERS</b>	
		MATERIAL PA 6.6 V2(UL94)	DATE 21/01/2019
PART NUMBER SEE TABLE		DRAWN R.F.	
DRAWING NUMBER 19.01.21.96XX.0.E		CHECK	
SIZE A4	SCALE NTS	COLOR NATURAL	APPROVED
UNIT mm.	REV A	UNLESS OTHERWISE SPECIFIED TOLERANCE SEE ABOVE	