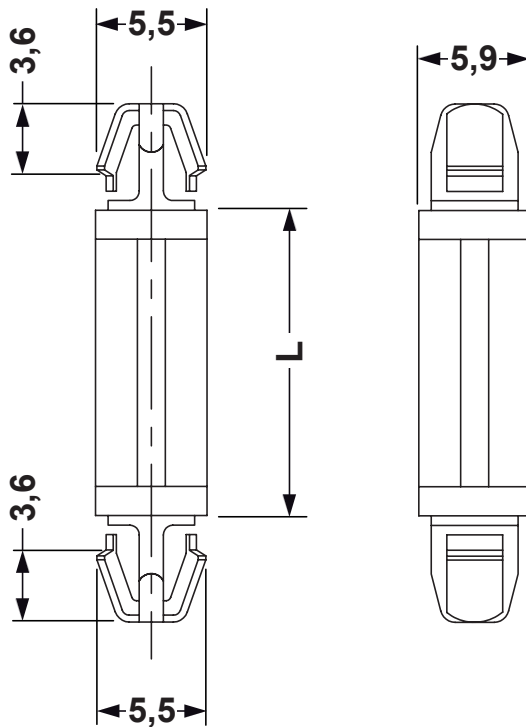


DIM.	TOL.
5mm DOWN	±0.2
5~20mm	±0.3
20~40mm	±0.4
40~60mm	±0.5
60~100mm	±0.8
100mm UP	±1.0


REVISIONS			
REV	DESCRIPTION	DATE	BY

**MOUNTING HOLE Ø4,8  
PANEL THICKNESS 1,6**



P/N	L
9612AA00	3,0
9613AA00	4,0
9614AA00	6,0
9615AA00	8,0
9616AA00	10,0
9617AA00	12,0
9618AA00	14,0
9619AA00	16,0
9620AA00	18,0

**MOUNTING HOLE Ø4,8  
PANEL THICKNESS 1,6**

				TITLE <b>DUAL LOCKING P.C.B. SPACERS</b>	
				MATERIAL PA66 V2(UL94)	DATE 05/05/2020
PART NUMBER SEE TABLE				DRAWN R.F.	
				DRAWING NUMBER 20.05.05.96XX.0.E	
SIZE A4				COLOR NATURAL	
				CHECK	
SCALE NTS		UNIT mm.		UNLESS OTHERWISE SPECIFIED TOLERANCE SEE ABOVE	
REV A		APPROVED			