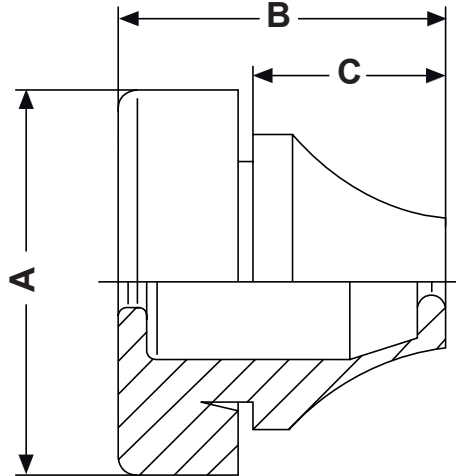



DIM.	TOL.
5mm DOWN	±0.2
5~20mm	±0.3
20~40mm	±0.4
40~60mm	±0.5
60~100mm	±0.8
100mm UP	±1.0

REVISIONS			
REV	DESCRIPTION	DATE	BY



P/N (RAL 7001)	P/N (RAL 7035)	P/N (RAL 9005)	SIZE	CABLE Ø	HOLE	THICKNESS	A	B	C
9020GS117001	9020GS117035	9020GS119005	PG7	3,0 - 5,0	13,0	0,5 - 2,0	20,0	12,6	5,4
9021GS117001	9021GS117035	9021GS119005	PG9	5,0 - 7,0	16,0	1,0 - 4,0	21,0	17,8	10,3
9022GS117001	9022GS117035	9022GS119005	PG11	7,0 - 10,0	19,0	1,0 - 4,0	24,0	19,8	12,7
9023GS117001	9023GS117035	9023GS119005	PG16	10,0 - 14,0	23,0	1,0 - 4,0	28,0	21,6	14,7
9024GS117001	9024GS117035	9024GS119005	PG21	14,0 - 20,0	29,0	1,0 - 4,0	35,0	24,6	17,6
9025GS117001	9025GS117035	9025GS119005	PG29	20,0 - 26,0	38,0	1,0 - 4,0	46,0	28,5	20,0
9026GS117001	9026GS117035	9026GS119005	PG36	26,0 - 35,0	48,0	1,0 - 4,0	58,0	34,9	23,9

				TITLE <b>PG SNAP-FIT PROTECTION GROMMET IP67</b>	
				MATERIAL EPDM	
PART NUMBER SEE TABLE				DRAWN R.F.	
DRAWING NUMBER 19.06.07.902X.0.E				CHECK	
SIZE A4		SCALE NTS		UNLESS OTHERWISE SPECIFIED TOLERANCE SEE ABOVE	
UNIT mm.		REV A		APPROVED	