

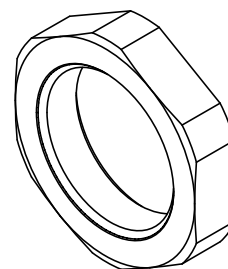
1

2

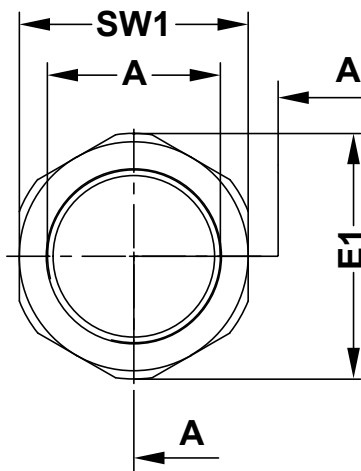
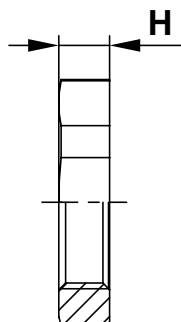
3

4

A



A-A



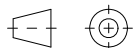
B

C

D

Part no.	A	SW1	E1	H
8540BB019005	Pg 7	19,0	21,0	5,0
8541BB019005	Pg 9	22,0	24,0	5,0
8542BB019005	Pg 11	24,0	26,0	5,0
8543BB019005	Pg 13,5	27,0	29,0	6,0
8544BB019005	Pg 16	30,0	33,0	6,0
8545BB019005	Pg 21	36,0	39,0	7,0
8546BB019005	Pg 29	46,0	50,0	7,0
8547AA019005	Pg 36	60,0	66,0	8,0
8548AA019005	Pg 42	65,0	72,8	8,0
8549AA019005	Pg 48	70,0	78,0	8,0

DIN ISO 5456-2



Material:

PA6 GF 30 (Pg7 - Pg29) RAL 9005
PA6 (PG36 - Pg48) RAL 9005

Drawing no: 18.03.26.854X.E.0

Date: 26.03.18

Name: R.F.

"RoHS conformity"

SCALE:
NTSPart number:
SEE TABLE

Description:

PG THREAD HEXAGONAL LOCKNUTS

PG 7 - Pg 48



fastpoint

Rev.

Date

Name