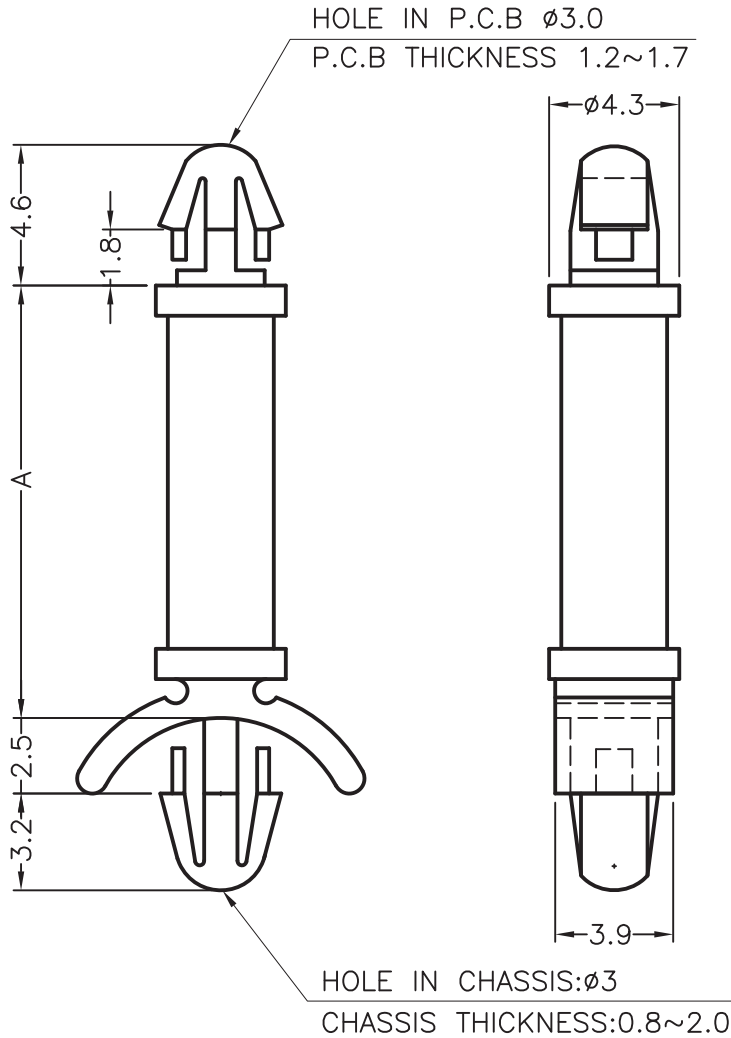


DIM.	TOL
5mm DOWN	±0.2
5~20mm	±0.3
20~40mm	±0.4
40~60mm	±0.5
60~100mm	±0.8
100mm UP	±1.0

REVISIONS			
REV	DESCRIPTION	DATE	BY



PART NO.	A
8408AA00	3.2
8409AA00	4.8
8410AA00	6.4
8411AA00	7.9
8412AA00	9.5
8413AA00	11.1
8414AA00	12.7
8415AA00	14.3
8416AA00	15.9
8417AA00	18.0



TITLE DUAL LOCKING P.C.B. SPACER			
MATERIAL PA66 V2 UL94		DATE 17/05/2011	
		DRAWN J.D.	
COLOR NATURAL		CHECK	
UNLESS OTHERWISE SPECIFIED TOLERANCE SEE ABOVE		APPROVED	

PART NUMBER SEE TABLE		DRAWING NUMBER 11.05.17.8408.0.E	
SIZE A4	SCALE NTS	UNIT mm.	REV A