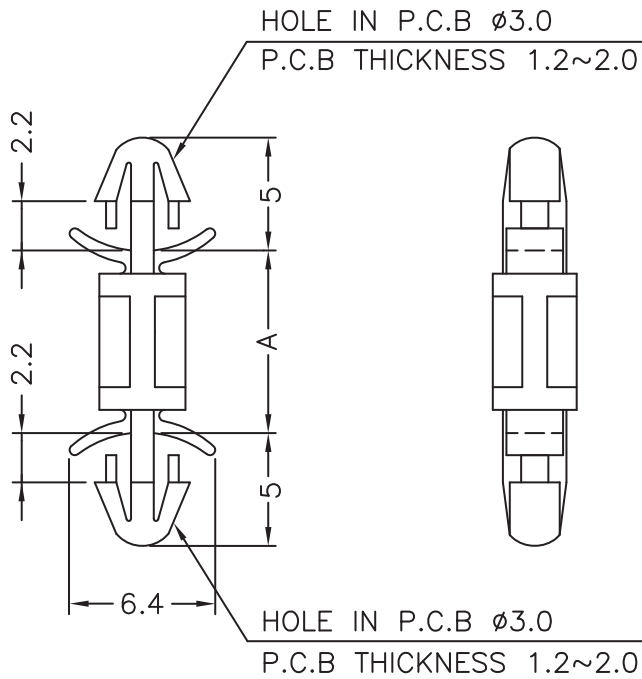


DIM.	TOL
5mm DOWN	±0.2
5~20mm	±0.3
20~40mm	±0.4
40~60mm	±0.5
60~100mm	±0.8
100mm UP	±1.0

REVISIONS			
REV	DESCRIPTION	DATE	BY



PART NO.	A
8393AA00	3.2
8394AA00	4.0
8395AA00	5.0
8396AA00	6.4
8397AA00	7.0
8398AA00	8.0
8399AA00	9.5
8400AA00	11.2
8401AA00	12.0
8402AA00	15.0
8403AA00	16.0
8404AA00	17.0
8405AA00	20.2
8406AA00	22.0
8407AA00	25.4



TITLE
DUAL LOCKING P.C.B. SPACERS

MATERIAL PA66 V2 UL94	DATE 17/05/2011
---------------------------------	---------------------------

DRAWN J.D.

COLOR NATURAL	CHECK
-------------------------	--------------

PART NUMBER SEE TABLE	DRAWING NUMBER 11.05.17.8XXX.0.E
---------------------------------	--

SIZE A4	SCALE NTS	UNIT mm.	REV A
-------------------	---------------------	--------------------	-----------------

UNLESS OTHERWISE SPECIFIED TOLERANCE SEE ABOVE	APPROVED
--	-----------------